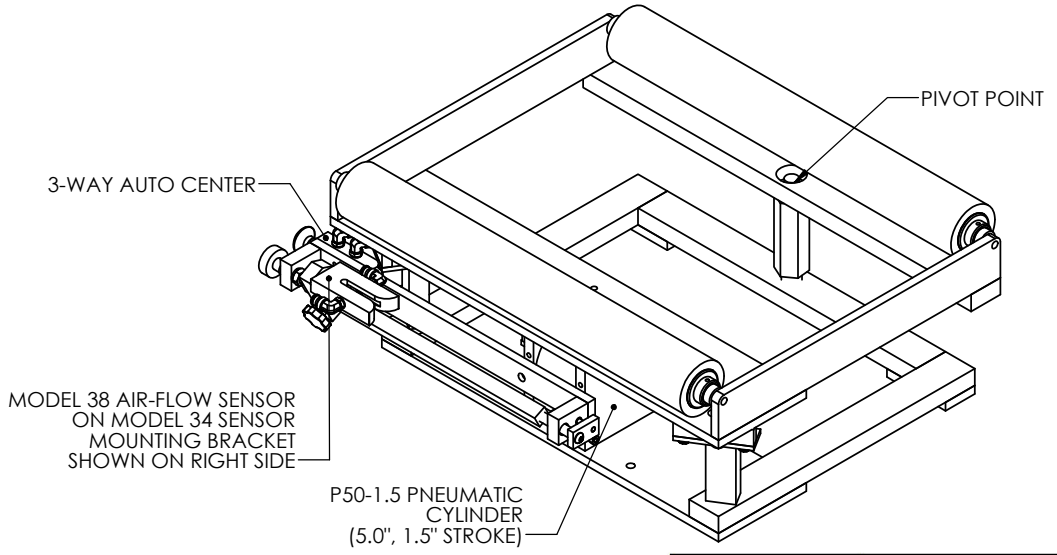
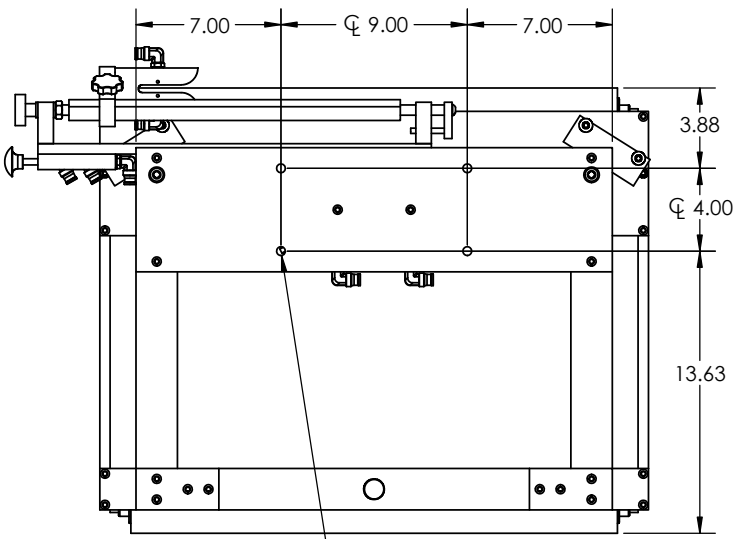
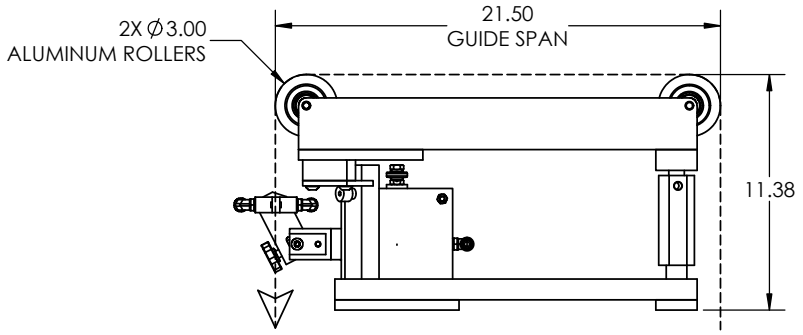
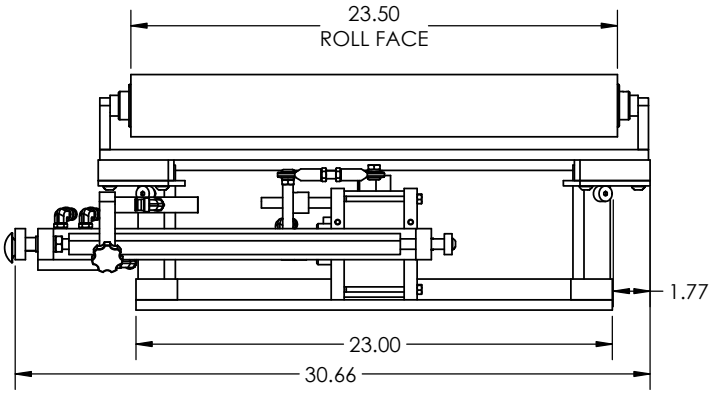


8 7 6 5 4 3 2 1



D
C
B
A

D
C
B
A

DRAWINGS FOR APPROVAL NEED TO BE SIGNED, DATED AND RETURNED TO COAST CONTROLS, INC. BEFORE ANY MANUFACTURING CAN BEGIN.

APPROVED SIGNATURE X _____ DATE _____

PROPRIETARY AND CONFIDENTIAL
THE INFORMATION CONTAINED IN THIS DRAWING IS THE SOLE PROPERTY OF COAST CONTROLS, INC. ANY REPRODUCTION IN PART OR AS A WHOLE WITHOUT THE WRITTEN PERMISSION OF COAST CONTROLS, INC. IS PROHIBITED.

PROJECTION IS THIRD ANGLE		UNSPECIFIED TOLERANCES			
		FRACTIONS ± 1/32		ANGLES ± 1 DEG	
INCH	X ±.030	XX ±.015	XXX ±.005	XXXX ±.0005	
MM	X ±1.0	XX ±.50	XXX ±.25		

DO NOT SCALE DRAWING

NAME	DATE
DRAWN PAM	6/8/2023
CHECKED	
ENG APPR.	
MFG APPR.	
G.A.	

PAGE: 3-4223
QUOTE: Q2302-46

	COAST CONTROLS, INC. 7500 COMMERCE CT. SARASOTA, FL 34243 www.coastcontrols.com 941.355.7555 941.359.2321	
	TITLE: DISPLACEMENT GUIDE DIMENSIONS	
SIZE B	DWG. NO. RDG5-2422	REV -
SCALE: 1:6	WEIGHT:	SHEET 1 OF 1

8 7 6 5 4 3 2 1