

DRAWINGS FOR APPROVAL NEED TO BE SIGNED, DATED AND RETURNED TO COAST CONTROLS, INC. BEFORE ANY MANUFACTURING CAN BEGIN.

APPROVED SIGNATURE X \_\_\_\_\_ DATE \_\_\_\_\_

**PROPRIETARY AND CONFIDENTIAL**  
 THE INFORMATION CONTAINED IN THIS DRAWING IS THE SOLE PROPERTY OF COAST CONTROLS, INC. ANY REPRODUCTION IN PART OR AS A WHOLE WITHOUT THE WRITTEN PERMISSION OF COAST CONTROLS, INC. IS PROHIBITED.

|                        |             |              |                                  |
|------------------------|-------------|--------------|----------------------------------|
| UNSPECIFIED TOLERANCES |             |              |                                  |
| FRACTIONS              | ± 1/32      | ANGLES       | ± 1 DEG                          |
| INCH                   | .X<br>±.030 | .XX<br>±.015 | .XXX<br>±.005<br>.XXXX<br>±.0005 |
| MM                     | .X<br>±1.0  | .XX<br>±.50  | .XXX<br>±.25                     |
| DO NOT SCALE DRAWING   |             |              |                                  |

|           |           |
|-----------|-----------|
| NAME      | DATE      |
| DRAWN twh | 9/19/2013 |
| CHECKED   |           |
| ENG APPR. |           |
| MFG APPR. |           |
| Q.A.      |           |

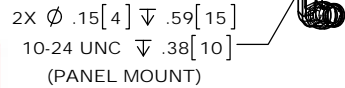
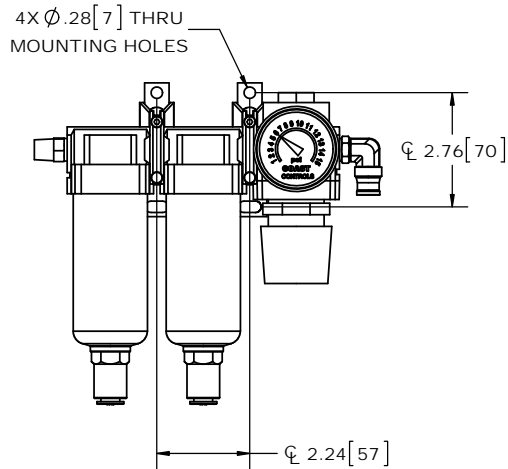
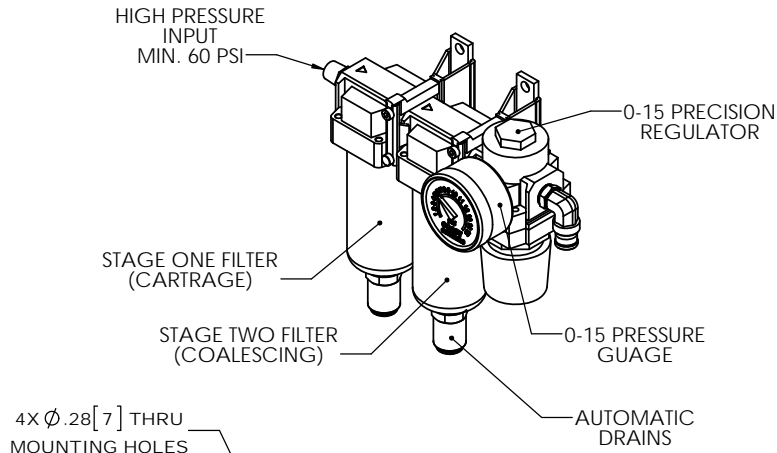
PAGE: 3-2129  
 QUOTE: QXXXX-XX

**COAST CONTROLS, INC.**  
 7500 COMMERCE CT.  
 SARASOTA, FL34243  
 www.CoastControls.com  
 941.355.7555 - 941.359.2321

TITLE: **DISPLACEMENT GUIDE DIMENSIONS**

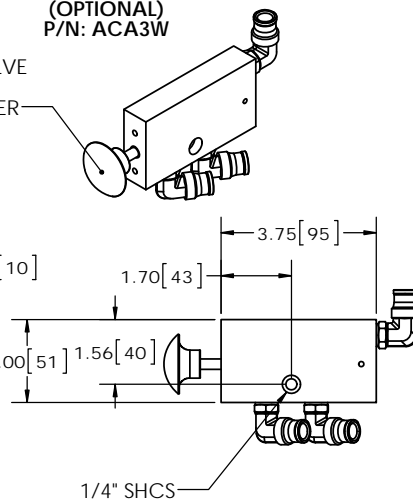
|               |                                |              |
|---------------|--------------------------------|--------------|
| SIZE <b>B</b> | DWG. NO. MDG3-0606-LH STANDARD | REV          |
| SCALE: 1:3    | WEIGHT:                        | SHEET 1 OF 1 |

**TWO-STAGE CARTRIDGE/COALESCING AIR FILTER AND PRECISION LOW-PRESSURE REGULATOR/GUAGE.**  
P/N: FRGAC

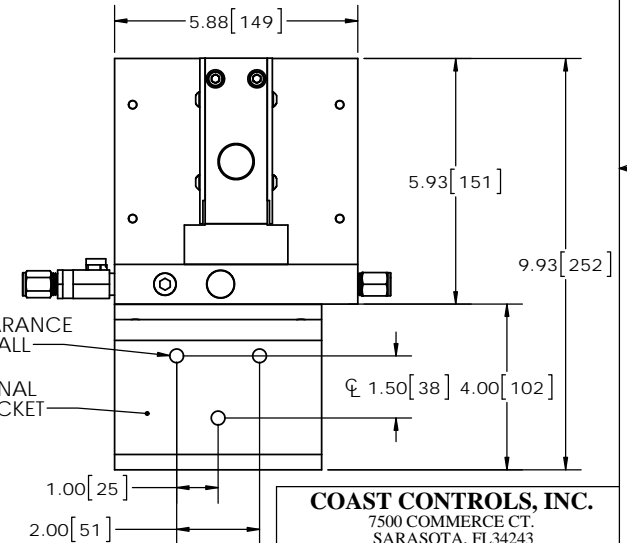
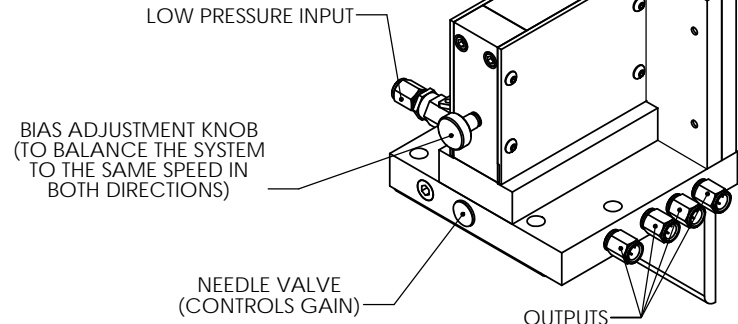


**3-WAY AUTO CENTER VALVE (OPTIONAL)**  
P/N: ACA3W

PUSH/PULL 3-WAY VALVE  
PUSH TO GUIDE  
PULL TO SERVO CENTER



**SERVO CONTROLLER**  
P/N: SC10A



**COAST CONTROLS, INC.**  
7500 COMMERCE CT.  
SARASOTA, FL34243  
www.CoastControls.com

941.355.7555 - 941.359.2321

TITLE:  
**GUIDE SUPPORT EQUIPMENT  
SERVO CONTROLLER  
TWO-STAGE FILTER  
3-WAY VALVE**

|           |      |           |
|-----------|------|-----------|
| DRAWN     | NAME | DATE      |
| CHECKED   | TWH  | 2/28/2012 |
| ENG APPR. |      |           |
| MFG APPR. |      |           |
| Q.A.      |      |           |

PAGE: 3-1606  
QUOTE: QXXXX-XX

SIZE DWG. NO. REV  
**B** GUIDE SUPPORT EQUIP. WITH 3-WAY

SCALE: 1:3 WEIGHT: SHEET 1 OF 1



DRAWINGS FOR APPROVAL NEED TO BE SIGNED, DATED AND RETURNED TO COAST CONTROLS, INC. BEFORE ANY MANUFACTURING CAN BEGIN.

APPROVED SIGNATURE X \_\_\_\_\_

DATE \_\_\_\_\_

**PROPRIETARY AND CONFIDENTIAL**  
THE INFORMATION CONTAINED IN THIS DRAWING IS THE SOLE PROPERTY OF COAST CONTROLS, INC. ANY REPRODUCTION IN PART OR AS A WHOLE WITHOUT THE WRITTEN PERMISSION OF COAST CONTROLS, INC. IS PROHIBITED.

PROJECTION IS THIRD ANGLE

UNSPECIFIED TOLERANCES

|           |             |              |                                  |
|-----------|-------------|--------------|----------------------------------|
| FRACTIONS | ± 1/32      | ANGLES       | ± 1 DEG                          |
| INCH      | .X<br>±.030 | .XX<br>±.015 | .XXX<br>±.005<br>.XXXX<br>±.0005 |
| MM        | .X<br>±1.0  | .XX<br>±.50  | .XXX<br>±.25                     |

DO NOT SCALE DRAWING