

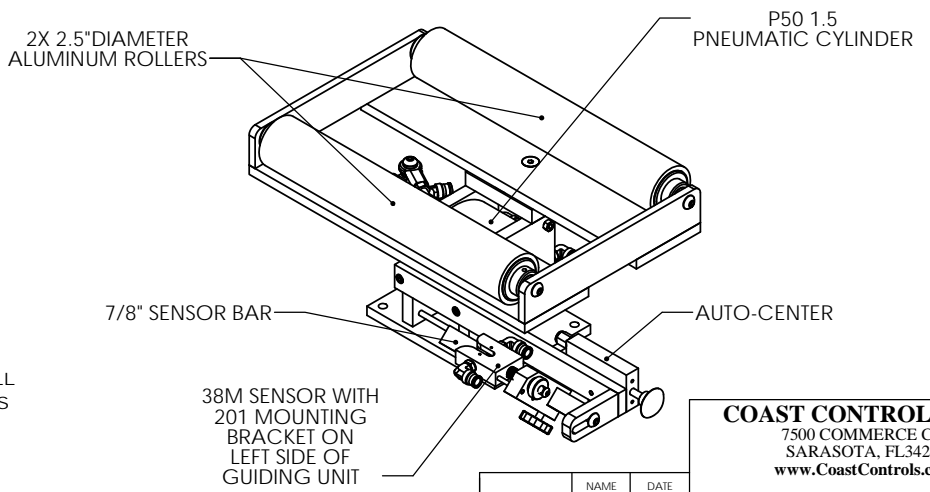
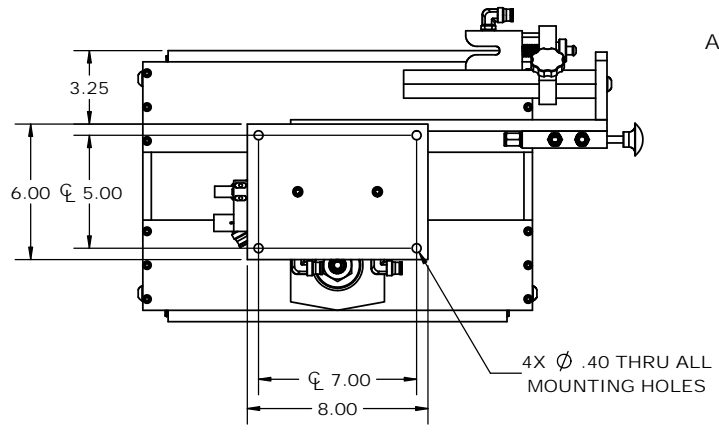
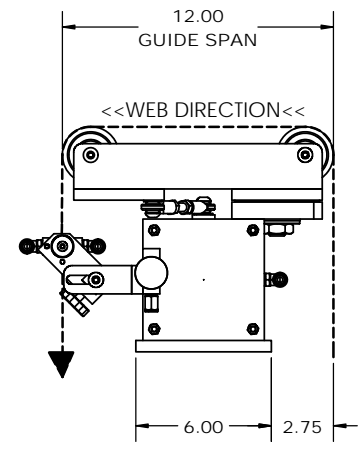
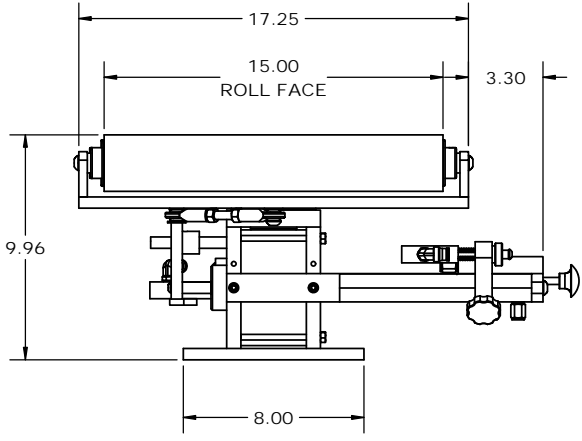
8 7 6 5 4 3 2 1

D

C

B

A



DRAWINGS FOR APPROVAL NEED TO BE SIGNED, DATED AND RETURNED TO COAST CONTROLS, INC. BEFORE ANY MANUFACTURING CAN BEGIN.

APPROVED SIGNATURE X \_\_\_\_\_ DATE \_\_\_\_\_

**PROPRIETARY AND CONFIDENTIAL**  
 THE INFORMATION CONTAINED IN THIS DRAWING IS THE SOLE PROPERTY OF COAST CONTROLS, INC. ANY REPRODUCTION IN PART OR AS A WHOLE WITHOUT THE WRITTEN PERMISSION OF COAST CONTROLS, INC. IS PROHIBITED.

PROJECTION IS THIRD ANGLE

UNSPECIFIED TOLERANCES			
FRACTIONS	1/32	ANGLES	± 1 DEG
INCH	.X ±.030	.XX ±.015	.XXX ±.005 .XXXX ±.0005
MM	.X ±1.0	.XX ±.50	.XXX ±.25

DO NOT SCALE DRAWING

	NAME	DATE
DRAWN	TWH	3/30/2012
CHECKED		
ENG APPR.		
MFG APPR.		
Q.A.		

PAGE: 3-1731  
 QUOTE: QXXXX-XX

**COAST CONTROLS, INC.**  
 7500 COMMERCE CT.  
 SARASOTA, FL34243  
 www.CoastControls.com  
 941.355.7555 - 941.359.2321

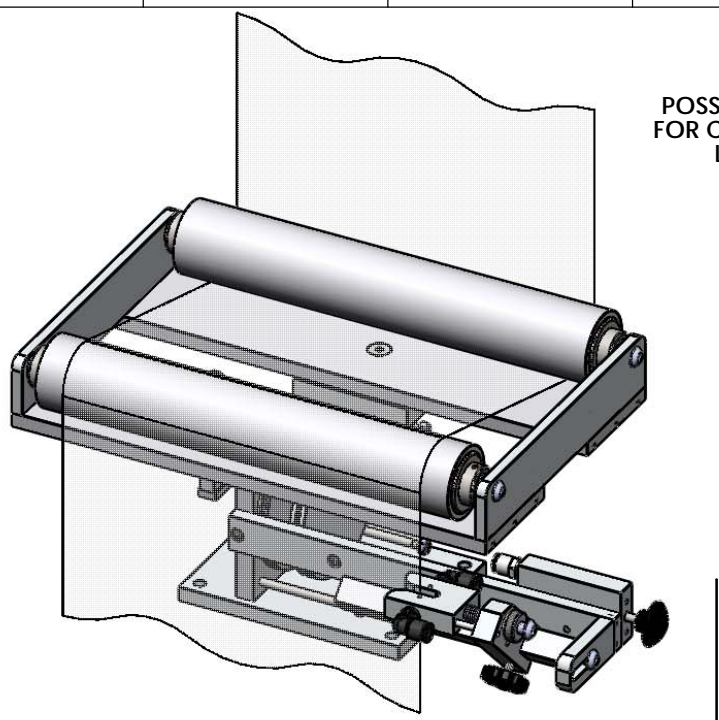
TITLE: DISPLACEMENT GUIDE DIMENSIONS

SIZE	DWG. NO.	REV
B	MDG5-1512_STANDARD_LEFT	

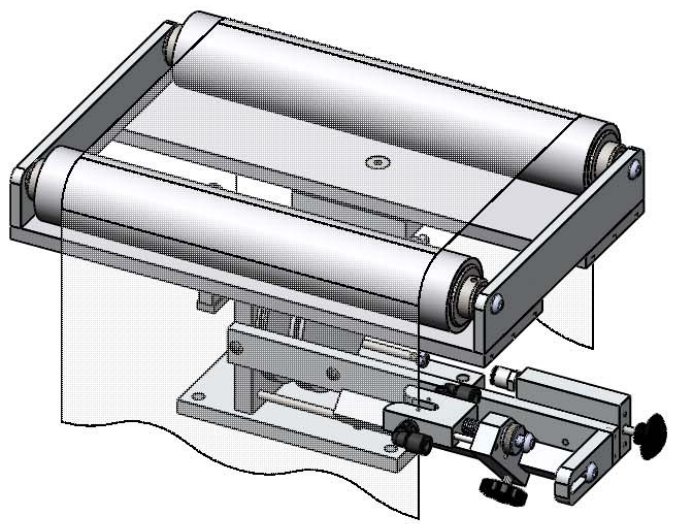
SCALE: 1:5 WEIGHT: SHEET 1 OF 1

8 7 6 5 4 3 2 1

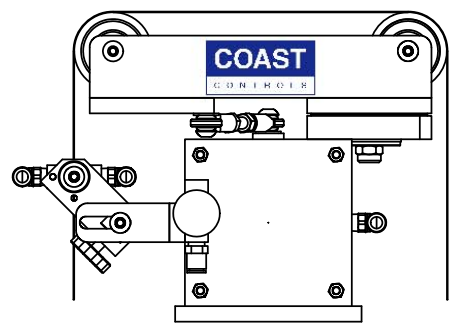
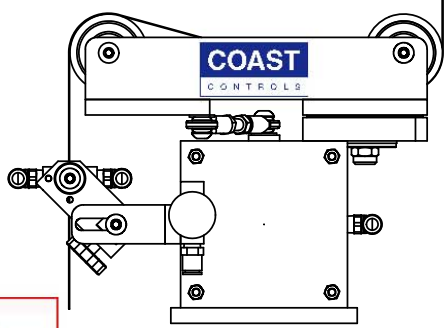
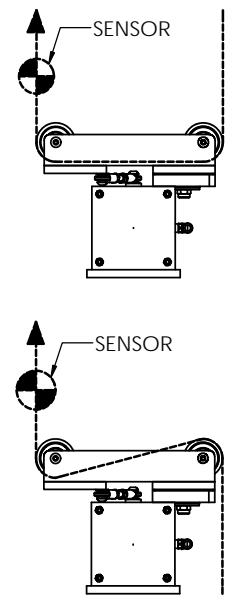
8 7 6 5 4 3 2 1



POSSIBLE WEB PATHS FOR CURRENT SENSOR LOCATION.



OTHER POSSIBLE SENSOR CONFIGURATIONS



**COAST CONTROLS, INC.**  
 7500 COMMERCE CT.  
 SARASOTA, FL34243  
 www.CoastControls.com  
 941.355.7555 - 941.359.2321

DRAWN	NAME	DATE
CHECKED	TWH	4/19/2011
ENG APPR.		
MFG APPR.		
Q.A.		

TITLE: **DISPLACEMENT GUIDE DIMENSIONS**

DRAWINGS FOR APPROVAL NEED TO BE SIGNED, DATED AND RETURNED TO COAST CONTROLS, INC. BEFORE ANY MANUFACTURING CAN BEGIN.

APPROVED SIGNATURE X \_\_\_\_\_ DATE \_\_\_\_\_

**PROPRIETARY AND CONFIDENTIAL**  
 THE INFORMATION CONTAINED IN THIS DRAWING IS THE SOLE PROPERTY OF COAST CONTROLS, INC. ANY REPRODUCTION IN PART OR AS A WHOLE WITHOUT THE WRITTEN PERMISSION OF COAST CONTROLS, INC. IS PROHIBITED.

PROJECTION IS THIRD ANGLE

UNSPECIFIED TOLERANCES			
FRACTIONS	± 1/32	ANGLES	± 1 DEG
INCH	.X ±.030	.XX ±.015	.XXX ±.005 XXXX ±.0005
MM	.X ±1.0	.XX ±.50	.XXX ±.25

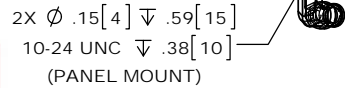
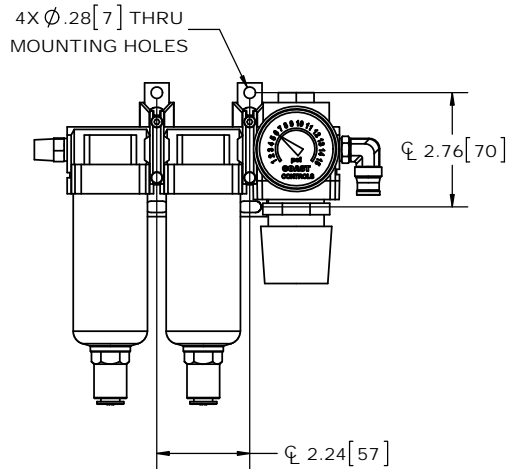
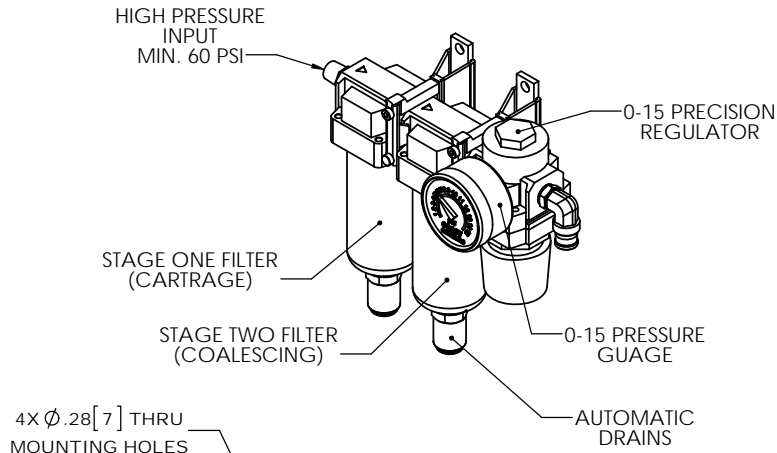
DO NOT SCALE DRAWING

PAGE: **3-1731-A**  
 QUOTE: **QXXXX-XX**

SIZE	DWG. NO.	REV
<b>B</b>	MDG5-1512_STANDARD_LEFT_1A	
SCALE: 1:4	WEIGHT:	SHEET 1 OF 1

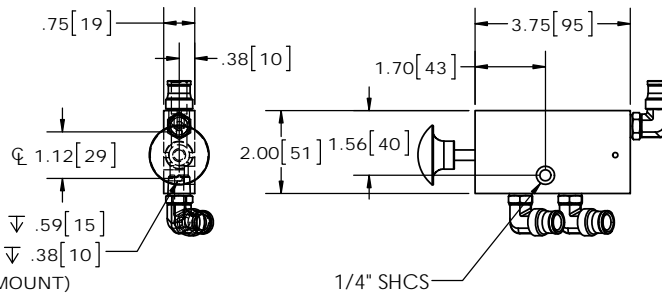
8 7 6 5 4 3 2 1

**TWO-STAGE CARTRIDGE/COALESCING AIR FILTER AND PRECISION LOW-PRESSURE REGULATOR/GUAGE.**  
P/N: FRGAC

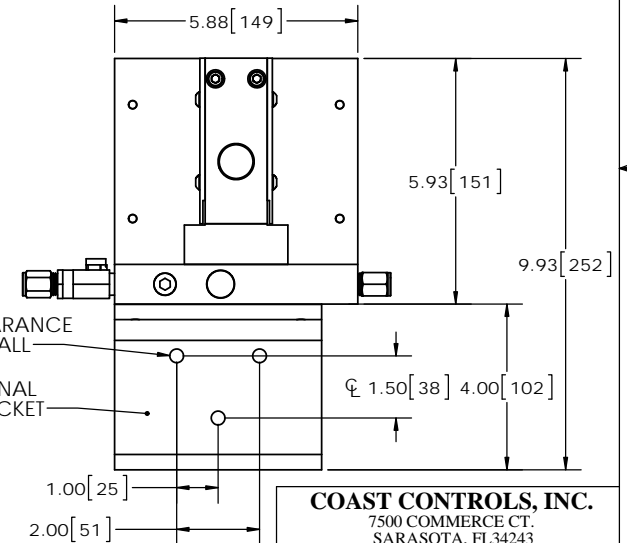
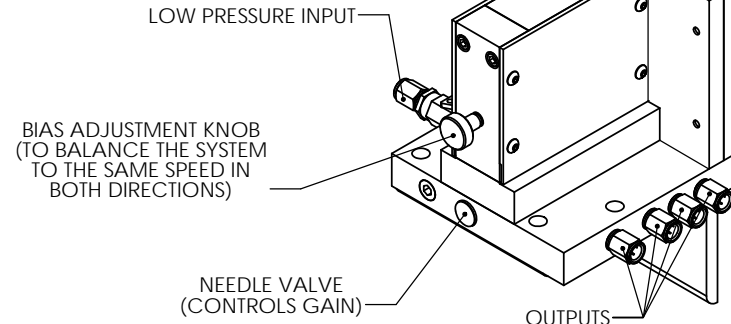


**3-WAY AUTO CENTER VALVE (OPTIONAL)**  
P/N: ACA3W

PUSH/PULL 3-WAY VALVE  
PUSH TO GUIDE  
PULL TO SERVO CENTER



**SERVO CONTROLLER**  
P/N: SC10A



**COAST CONTROLS, INC.**  
7500 COMMERCE CT.  
SARASOTA, FL34243  
www.CoastControls.com

941.355.7555 - 941.359.2321

TITLE:  
**GUIDE SUPPORT EQUIPMENT  
SERVO CONTROLLER  
TWO-STAGE FILTER  
3-WAY VALVE**

DRAWN	NAME	DATE
CHECKED	TWH	2/28/2012
ENG APPR.		
MFG APPR.		
Q.A.		

PAGE: 3-1606  
QUOTE: QXXXX-XX

SIZE DWG. NO. REV  
**B** GUIDE SUPPORT EQUIP. WITH 3-WAY

SCALE: 1:3 WEIGHT: SHEET 1 OF 1



DRAWINGS FOR APPROVAL NEED TO BE SIGNED, DATED AND RETURNED TO COAST CONTROLS, INC. BEFORE ANY MANUFACTURING CAN BEGIN.

APPROVED SIGNATURE X \_\_\_\_\_

DATE \_\_\_\_\_

**PROPRIETARY AND CONFIDENTIAL**  
THE INFORMATION CONTAINED IN THIS DRAWING IS THE SOLE PROPERTY OF COAST CONTROLS, INC. ANY REPRODUCTION IN PART OR AS A WHOLE WITHOUT THE WRITTEN PERMISSION OF COAST CONTROLS, INC. IS PROHIBITED.

PROJECTION IS THIRD ANGLE

UNSPECIFIED TOLERANCES			
FRACTIONS ± 1/32	ANGLES ± 1 DEG		
INCH .X .XX .XXX .XXXX	±.030	±.015	±.005 ±.0005
MM .X .XX .XXX	±1.0	±.50	±.25
DO NOT SCALE DRAWING			