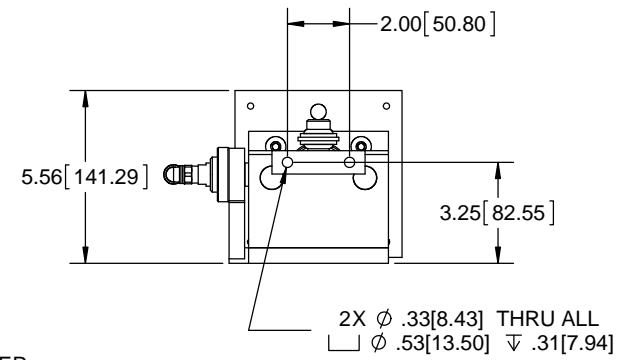
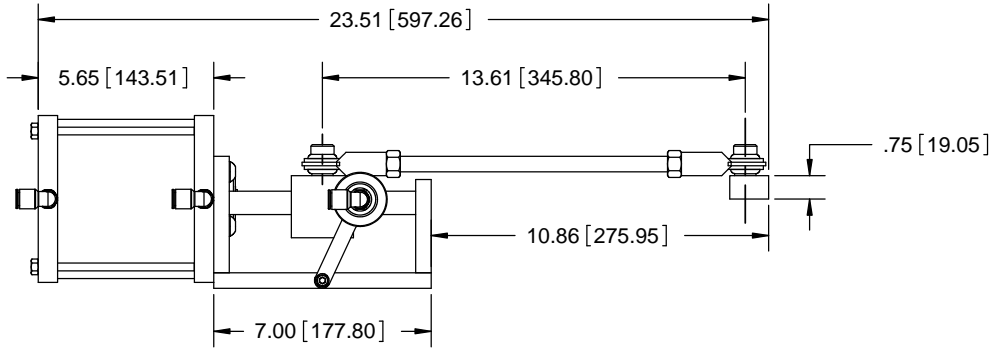


8 7 6 5 4 3 2 1

D



C

P50-3 PISTON TYPE PNEUMATIC CYLINDER

3/8" PUSH LOCK AIR FITTINGS

CARRIER BLOCK AND RACEWAY ASSEMBLY

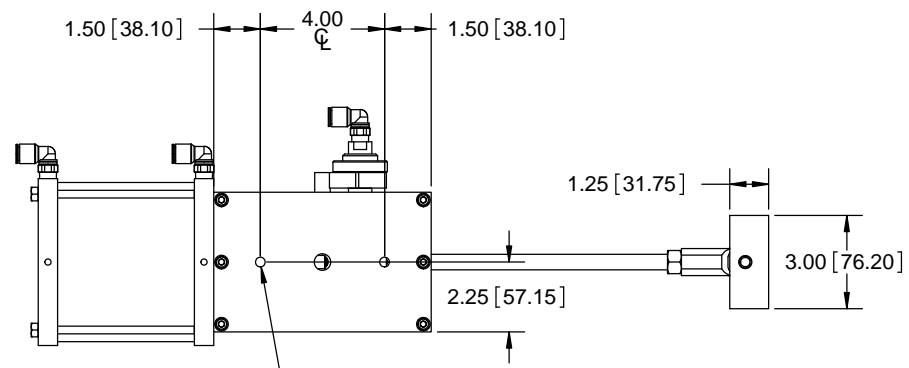
1/2" SPHERICAL ROD ENDS

AUTO CENTER ASSEMBLY

4.5 x 7.0 RACEWAY BASE PLATE

CONNECTING BLOCK ATTACHES TO SHIFTING DEVICE

B



2X Ø .31 [7.94] THRU ALL  
3/8-16 UNC THRU ALL

A



**PROPRIETARY AND CONFIDENTIAL**  
THE INFORMATION CONTAINED IN THIS DRAWING IS THE SOLE PROPERTY OF COAST CONTROLS, INC. ANY REPRODUCTION IN PART OR AS A WHOLE WITHOUT THE WRITTEN PERMISSION OF COAST CONTROLS, INC. IS PROHIBITED.

UNSPECIFIED TOLERANCES			
FRACTIONS	± 1/32	ANGLES	± 1 DEG
INCH	.X ±.030	.XX ±.015	.XXX ±.005 XXXX ±.0005
MM	±1.0	±.50	±.25
DO NOT SCALE DRAWING			

PROJECTION IS THIRD ANGLE

	NAME	DATE
DRAWN	KEK	3/23/2011
CHECKED		
ENG APPR.		
MFG APPR.		
Q.A.		

PAGE: **3-1439**  
QUOTE: **QXXX-XX**

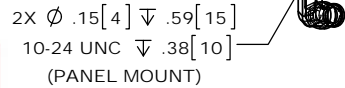
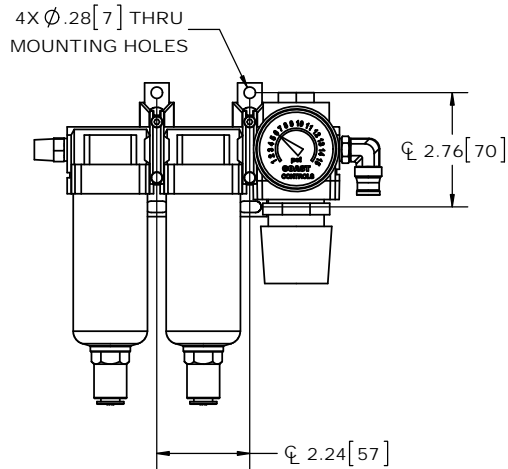
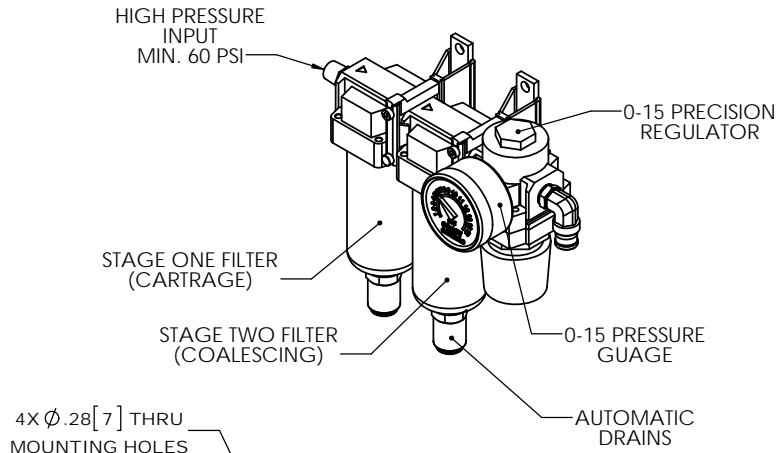
**COAST CONTROLS, INC.**  
7500 COMMERCE CT.  
SARASOTA, FL34243  
941.355.7555 - 941.359.2321

TITLE:  
**RETROFIT KIT  
P50-3 CYLINDER WITH  
4.5x7.0 RACEWAY**

SIZE	DWG. NO.	REV
<b>B</b>	P50-3-R75 RETROFIT	
SCALE: 1:4	WEIGHT:	SHEET 1 OF 1

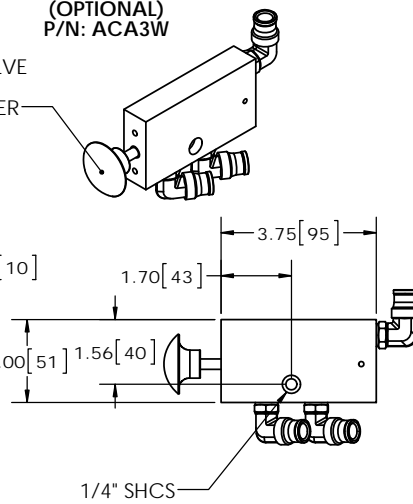
8 7 6 5 4 3 2 1

**TWO-STAGE CARTRIDGE/COALESCING AIR FILTER AND PRECISION LOW-PRESSURE REGULATOR/GUAGE.**  
P/N: FRGAC

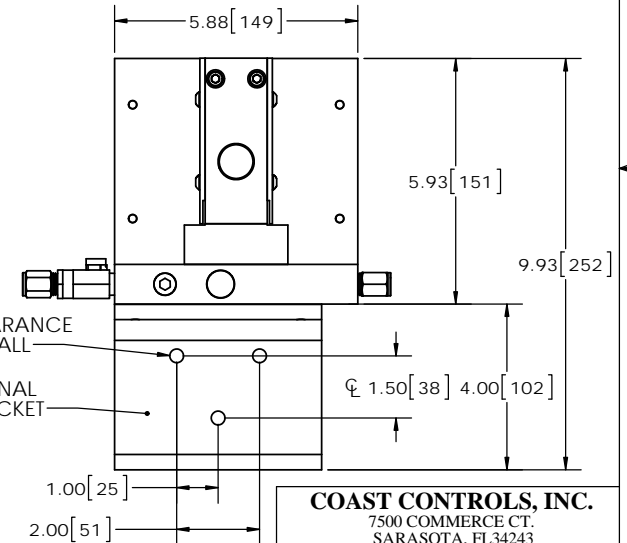
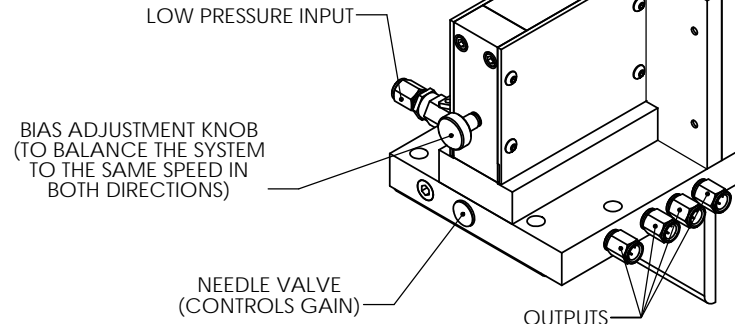


**3-WAY AUTO CENTER VALVE (OPTIONAL)**  
P/N: ACA3W

PUSH/PULL 3-WAY VALVE  
PUSH TO GUIDE  
PULL TO SERVO CENTER



**SERVO CONTROLLER**  
P/N: SC10A



**COAST CONTROLS, INC.**  
7500 COMMERCE CT.  
SARASOTA, FL34243  
www.CoastControls.com

941.355.7555 - 941.359.2321

TITLE:  
**GUIDE SUPPORT EQUIPMENT  
SERVO CONTROLLER  
TWO-STAGE FILTER  
3-WAY VALVE**

DRAWN	NAME	DATE
CHECKED	TWH	2/28/2012
ENG APPR.		
MFG APPR.		
Q.A.		

PAGE: 3-1606  
QUOTE: QXXXX-XX

SIZE DWG. NO. REV  
**B** GUIDE SUPPORT EQUIP. WITH 3-WAY

SCALE: 1:3 WEIGHT: SHEET 1 OF 1



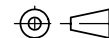
DRAWINGS FOR APPROVAL NEED TO BE SIGNED, DATED AND RETURNED TO COAST CONTROLS, INC. BEFORE ANY MANUFACTURING CAN BEGIN.

APPROVED SIGNATURE X \_\_\_\_\_

DATE \_\_\_\_\_

**PROPRIETARY AND CONFIDENTIAL**  
THE INFORMATION CONTAINED IN THIS DRAWING IS THE SOLE PROPERTY OF COAST CONTROLS, INC. ANY REPRODUCTION IN PART OR AS A WHOLE WITHOUT THE WRITTEN PERMISSION OF COAST CONTROLS, INC. IS PROHIBITED.

PROJECTION IS THIRD ANGLE



UNSPECIFIED TOLERANCES			
FRACTIONS ± 1/32	ANGLES ± 1 DEG		
INCH .X .XX .XXX .XXXX	±.030	±.015	±.005 ±.0005
MM .X .XX .XXX	±1.0	±.50	±.25
DO NOT SCALE DRAWING			

8 7 6 5 4 3 2 1

D

C

B

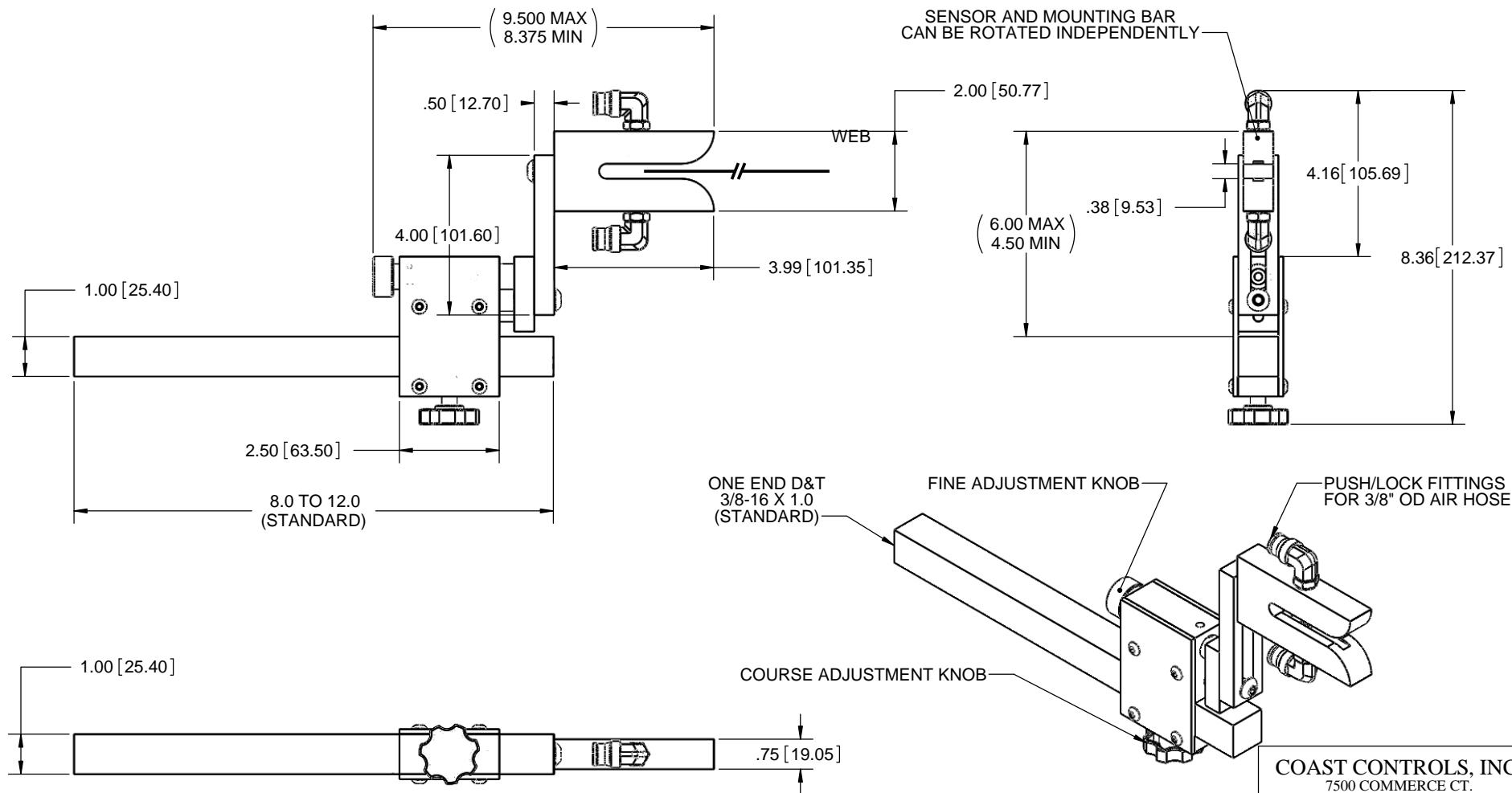
A

D

C

B

A



PROPRIETARY AND CONFIDENTIAL  
 THE INFORMATION CONTAINED IN THIS  
 DRAWING IS THE SOLE PROPERTY OF  
 COAST CONTROLS, INC. ANY  
 REPRODUCTION IN PART OR AS A WHOLE  
 WITHOUT THE WRITTEN PERMISSION OF  
 COAST CONTROLS, INC. IS  
 PROHIBITED.

UNSPECIFIED TOLERANCES			
FRACTIONS	± 1/32	ANGLES	± 1 DEG
INCH	.X ±.030	.XX ±.015	.XXX ±.005 .XXXX ±.0005
MM	±1.0	±.50	±.25
DO NOT SCALE DRAWING			

	NAME	DATE
DRAWN	KEK	8/20/2014
CHECKED		
ENG APPR.		
MFG APPR.		
Q.A.		

PAGE: **3-1552**  
 QUOTE: **QXXX-XX**

COAST CONTROLS, INC.  
 7500 COMMERCE CT.  
 SARASOTA, FL34243

941.355.7555 - 941.359.2321

TITLE: **MODEL 104 SENSOR MOUNTING BRACKET WITH MODEL 38 AIR FLOW SENSOR**

SIZE <b>B</b>	DWG. NO. MODEL 104 ASSEMBLY	REV
---------------	-----------------------------	-----

SCALE: 1:2.5 WEIGHT: SHEET 1 OF 1

8 7 6 5 4 3 2 1