

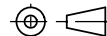
DRAWINGS FOR APPROVAL NEED TO BE SIGNED, DATED AND RETURNED TO COAST CONTROLS, INC. BEFORE ANY MANUFACTURING CAN BEGIN.

APPROVED SIGNATURE X _____

DATE _____

PROPRIETARY AND CONFIDENTIAL
 THE INFORMATION CONTAINED IN THIS DRAWING IS THE SOLE PROPERTY OF COAST CONTROLS, INC. ANY REPRODUCTION IN PART OR AS A WHOLE WITHOUT THE WRITTEN PERMISSION OF COAST CONTROLS, INC. IS PROHIBITED.

PROJECTION IS THIRD ANGLE



UNSPECIFIED TOLERANCES			
FRACTIONS	1/32	ANGLES	± 1 DEG
INCH	.X ±.030	.XX ±.015	.XXX ±.005 .XXXX ±.0005
MM	.X ±1.0	.XX ±.50	.XXX ±.25

DO NOT SCALE DRAWING

	NAME	DATE
DRAWN	TWH	8/18/2014
CHECKED	KEK	7/25/13
ENG APPR.		
MFG APPR.		
Q.A.		

PAGE: 3-2064
 QUOTE: QXXXX-XX

COAST CONTROLS, INC.
 7500 COMMERCE CT.
 SARASOTA, FL34243
 www.CoastControls.com
 941.355.7555 - 941.359.2321

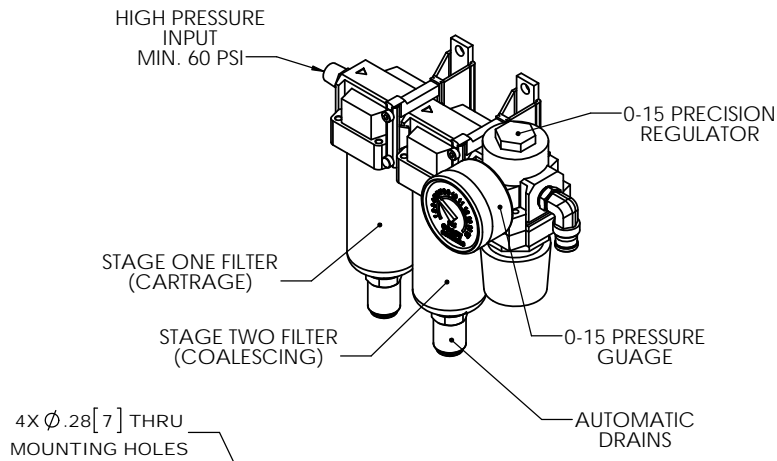
TITLE: DISPLACEMENT GUIDE FITS BOTH MARK ANDY 2200 & 4120, 10 inch

SIZE	DWG. NO.	REV
B	MDG5-1213 Mark Andy 2200, 4120 10 inch	

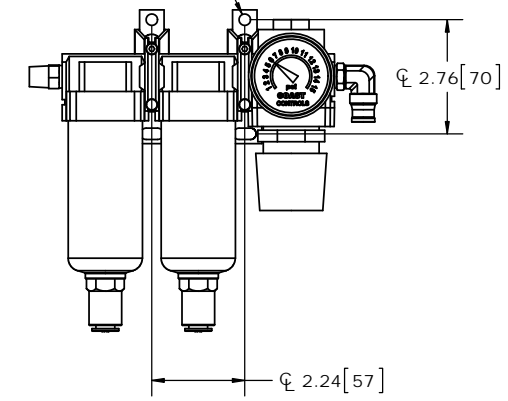
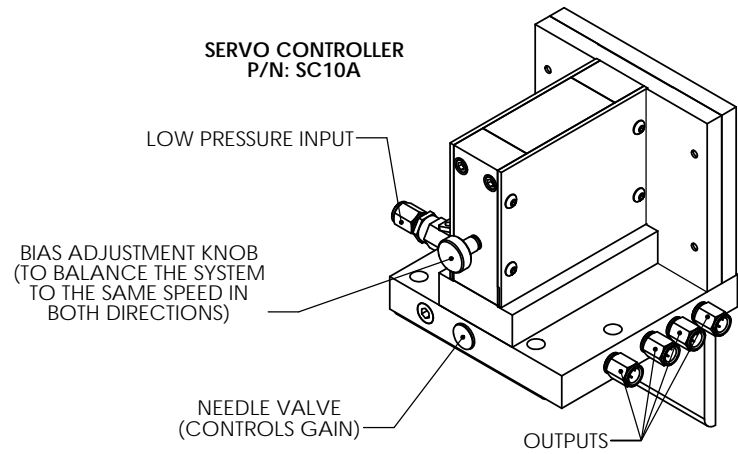
SCALE: 1:3 WEIGHT: SHEET 1 OF 1

8 7 6 5 4 3 2 1

TWO-STAGE CARTRIDGE/COALESCING AIR FILTER AND PRECISION LOW-PRESSURE REGULATOR/GUAGE.
P/N: FRGAC

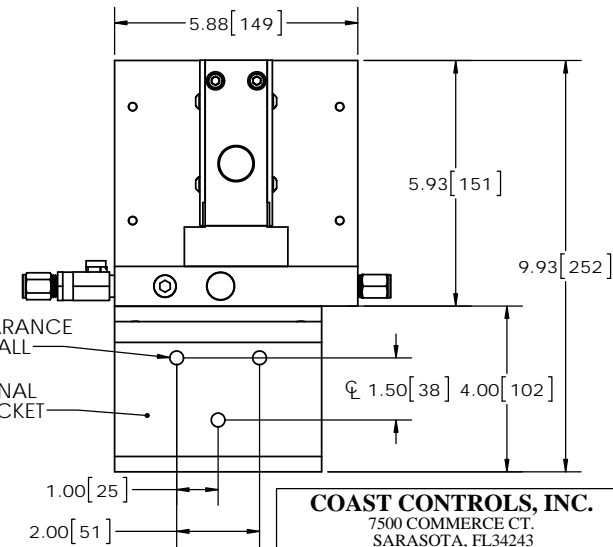
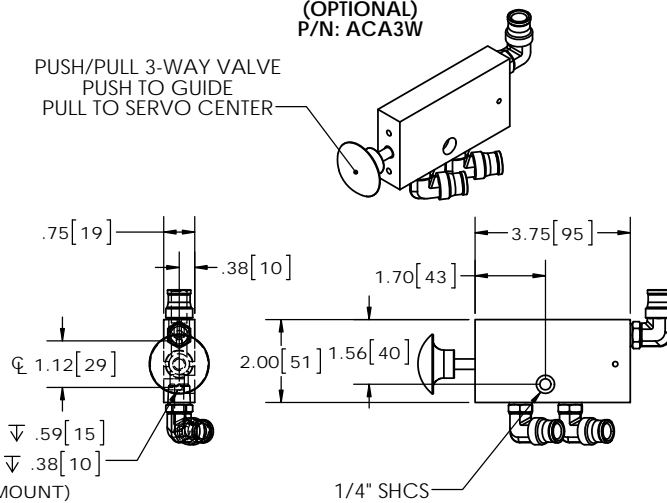


SERVO CONTROLLER
P/N: SC10A



3-WAY AUTO CENTER VALVE (OPTIONAL)
P/N: ACA3W

PUSH/PULL 3-WAY VALVE
PUSH TO GUIDE
PULL TO SERVO CENTER



COAST CONTROLS, INC.
7500 COMMERCE CT.
SARASOTA, FL34243
www.CoastControls.com

941.355.7555 - 941.359.2321

DRAWN	NAME	DATE
CHECKED	TWH	2/28/2012
ENG APPR.		
MFG APPR.		
Q.A.		

TITLE:
**GUIDE SUPPORT EQUIPMENT
SERVO CONTROLLER
TWO-STAGE FILTER
3-WAY VALVE**

PAGE: 3-1606
QUOTE: QXXXX-XX

SIZE DWG. NO. REV
B GUIDE SUPPORT EQUIP. WITH 3-WAY

SCALE: 1:3 WEIGHT: SHEET 1 OF 1

DRAWINGS FOR APPROVAL NEED TO BE SIGNED, DATED AND RETURNED TO COAST CONTROLS, INC. BEFORE ANY MANUFACTURING CAN BEGIN.

PROPRIETARY AND CONFIDENTIAL
THE INFORMATION CONTAINED IN THIS DRAWING IS THE SOLE PROPERTY OF COAST CONTROLS, INC. ANY REPRODUCTION IN PART OR AS A WHOLE WITHOUT THE WRITTEN PERMISSION OF COAST CONTROLS, INC. IS PROHIBITED.

PROJECTION IS THIRD ANGLE

UNSPECIFIED TOLERANCES			
FRACTIONS ± 1/32	ANGLES ± 1 DEG		
INCH .X .XX .XXX .XXXX	±.030	±.015	±.005 ±.0005
MM .X .XX .XXX	±1.0	±.50	±.25

DO NOT SCALE DRAWING

APPROVED SIGNATURE X _____ DATE _____

8 7 6 5 4 3 2 1