

RS2-75 Series

The RS2-75 Steering Guide is a compact steering guide ideal for the narrow web industry. It features a dual raceway assembly with 3/4-inch race rods and is powered by a 5-inch diameter air cylinder. The guide rollers move laterally on the linear raceway assemblies and simultaneously pivot in the same direction to correct the misalignment. No electronics, no hydraulics means no problems. The RS2-75 series is easy to install and setup.



Shown: RS2-75-2R 2.5x22

Specifications:

Max. Web Width.....30 in (762)
 Roll Face.....21 in (533.4) to 35 in (889)
 Roller Dia.2.5 in (63.5) to 4 in (101.6)
 Roller Types:
 Standard (One or Two Rollers).....Aluminum
 Optional.....Grooved, Stainless, Plasma,
 Cork Tape or Rubber Coated
 Piston Thrust (At 6 psi).....*1178 lbs (534 kgs)
 Auto Center Option.....Yes
 Sensor Bracket Style.....104
 Maximum Tension.....20 PLI
 Temperature.....32 - 350° F (0 - 66° C)
 Air Consumption (At 6 psi).....1.8 CFM (51 l/m)

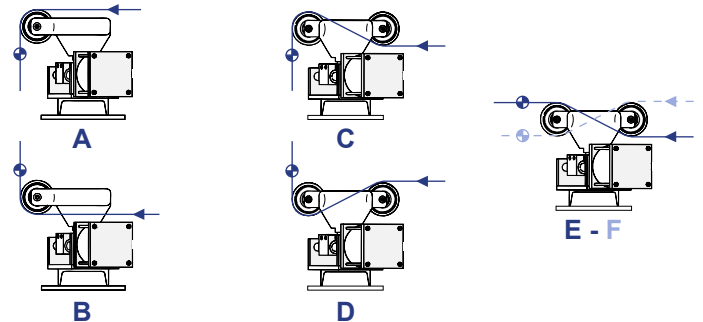
Requirements:

- The steering guide must be installed after a long, free-entering web span to prevent wrinkling. A web entry span of at least 2x the maximum web width must be maintained.
- The pre-entry span must be shorter than the entry span.
- The preferred exit span should be at least 1/2 to 1x the maximum web width.
- The air-flow sensor must be secure mounted after the guide's exit roller (within the first 1/3 of the exit span).
- At least one idler roller must be located between the exit roller and the process (i.e. printing) to avoid guiding directly into a process.

Environment Applications:

- Wash down
- High Heat
- High Humidity
- Dusty Dirty
- Clean Room
- Explosion Proof

Web Path Configurations:



Guides can be placed in any orientation and sensor can be on either the near side or far side of the web. Dual sensor to center-guide is optional.

How To Specify:

RS2-75-2R 2.5x25

Series - RS2 _____
 Roller Steering Guide _____
 Dual Race Support _____
 Ø.75 in. Bearing Shafts _____

Roller Diameter, Roller Length

Total Number Of Rollers _____
 (No Suffix For Single Roller Guide)

Additional Optional Equipment:

- Center Guide
- Multiple Stack Units
- Stainless Steel
- Remote Sensor Controls