

## RS2-10 Series



Shown:  
RS2-10-LP 4x58

### Specifications:

|                                    |   |
|------------------------------------|---|
| Max. Web Width.....                | 130 in (3302)   |
| Roll Face.....                     | 40 in (1016) to 140 in (3556)                             |
| Roller Dia. ....                   | 3 in (76.2) to 8 in (203.2)                               |
| Roller Types:                      |   |
| Standard (One or Two Rollers)..... | Aluminum  |
| Optional.....                      | Grooved, Stainless, Plasma,<br>Cork Tape or Rubber Coated |
| Piston Thrust (At 6 psi).....      | *1178 lbs (534 kgs)                                       |
| Auto Center Option.....            | Yes   |
| Sensor Bracket Style.....          | 104   |
| Maximum Tension.....               | 20 PLI  |
| Temperature.....                   | 32 - 350° F (0 - 66° C)                                   |
| Air Consumption (At 6 psi).....    | 1.8 CFM (51 l/m)  |

### Requirements:

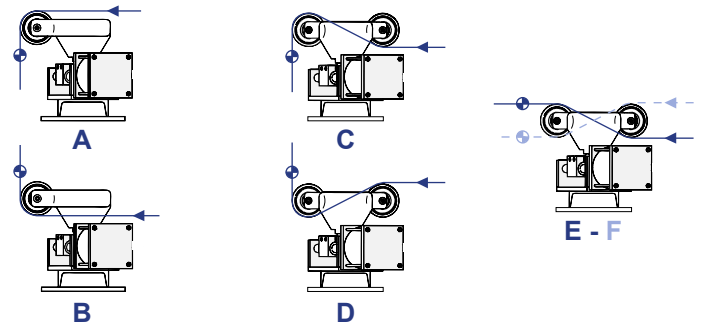
- The steering guide must be installed after a long, free-entering web span to prevent wrinkling. A web entry span of at least 2x the maximum web width must be maintained.
- The pre-entry span must be shorter than the entry span.
- The preferred exit span should be at least 1/2 to 1x the maximum web width.
- The air-flow sensor must be securely mounted after the guide's exit roller (within the first 1/3 of the exit span).
- At least one idler roller must be located between the exit roller and the process (i.e. printing) to avoid guiding directly into a process.

The RS2-10 Steering Guide is ideal for the plastic film, multi-wall bag, coating, laminating and flexographic printing industry. Its features a double raceway assembly with 1-inch race rods and is usually powered by a 5 or 6-inch diameter air cylinder. The guide rollers move laterally on the linear raceway assembly and simultaneously pivot in the same direction to correct the misalignment. No electronics, no hydraulics means no problems. The RS2-10 series is easy to install and setup.

### Environment Applications:

- Wash down
- High Heat
- High Humidity
- Dusty Dirty
- Clean Room
- Explosion Proof

### Web Path Configurations:



Guides can be placed in any orientation and sensor can be on either the near side or far side of the web. Dual sensor to center-guide is optional.

### How To Specify:

|                                     |                                   |
|-------------------------------------|-----------------------------------|
| <b>RS2-10-2R 4x40</b>               |                                   |
| Series - RS2 _____                  | Roller Diameter,<br>Roller Length |
| Dual Race Support                   |                                   |
| Ø1.0 in. Bearing Shafts             |                                   |
| Total Number Of Rollers _____       |                                   |
| (No Suffix For Single Roller Guide) |                                   |

### Additional Optional Equipment:

- Center Guide
- Stainless Steel
- Remote Sensor Controls
- Splice Table
- Multiple Stack Units