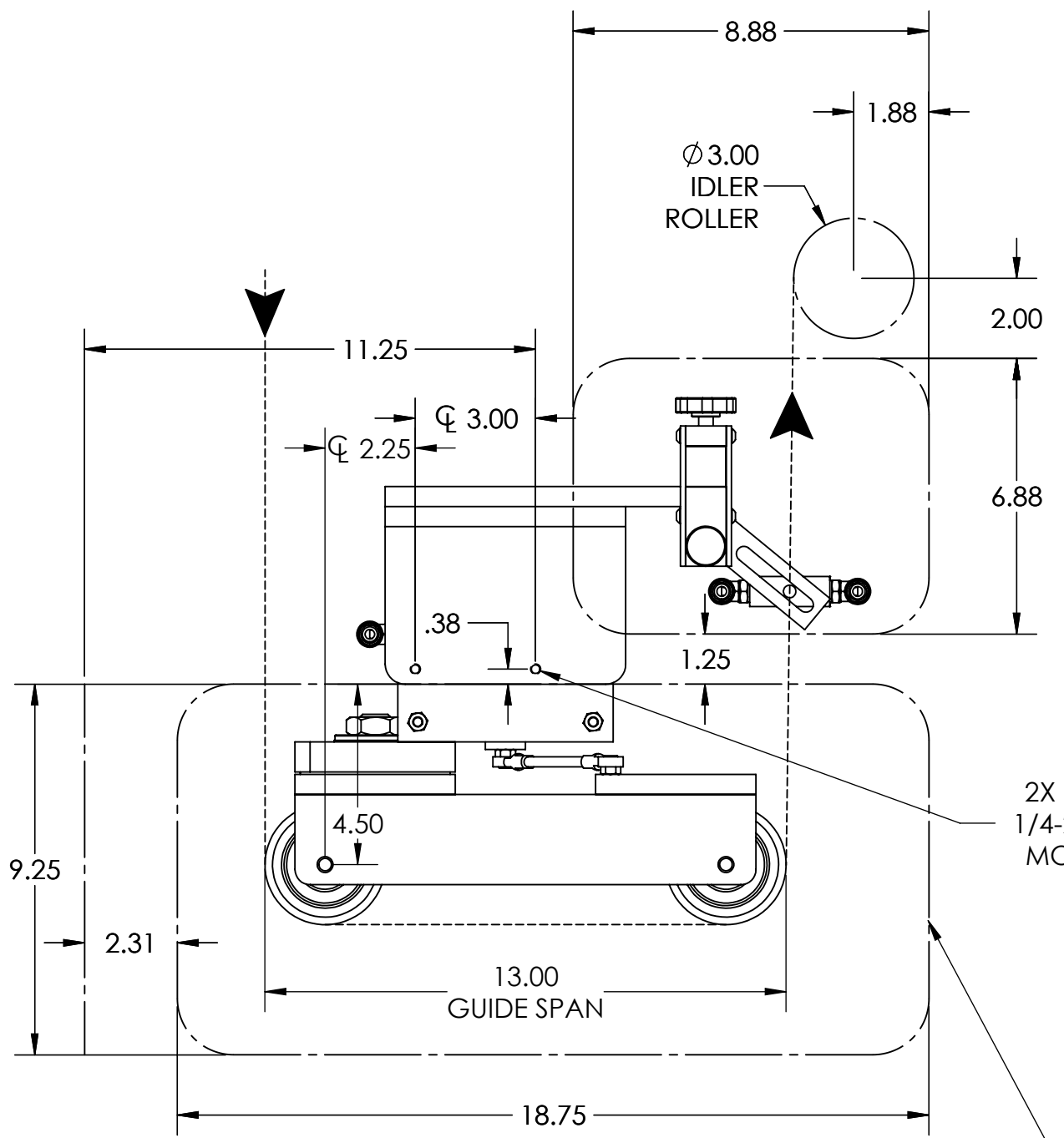
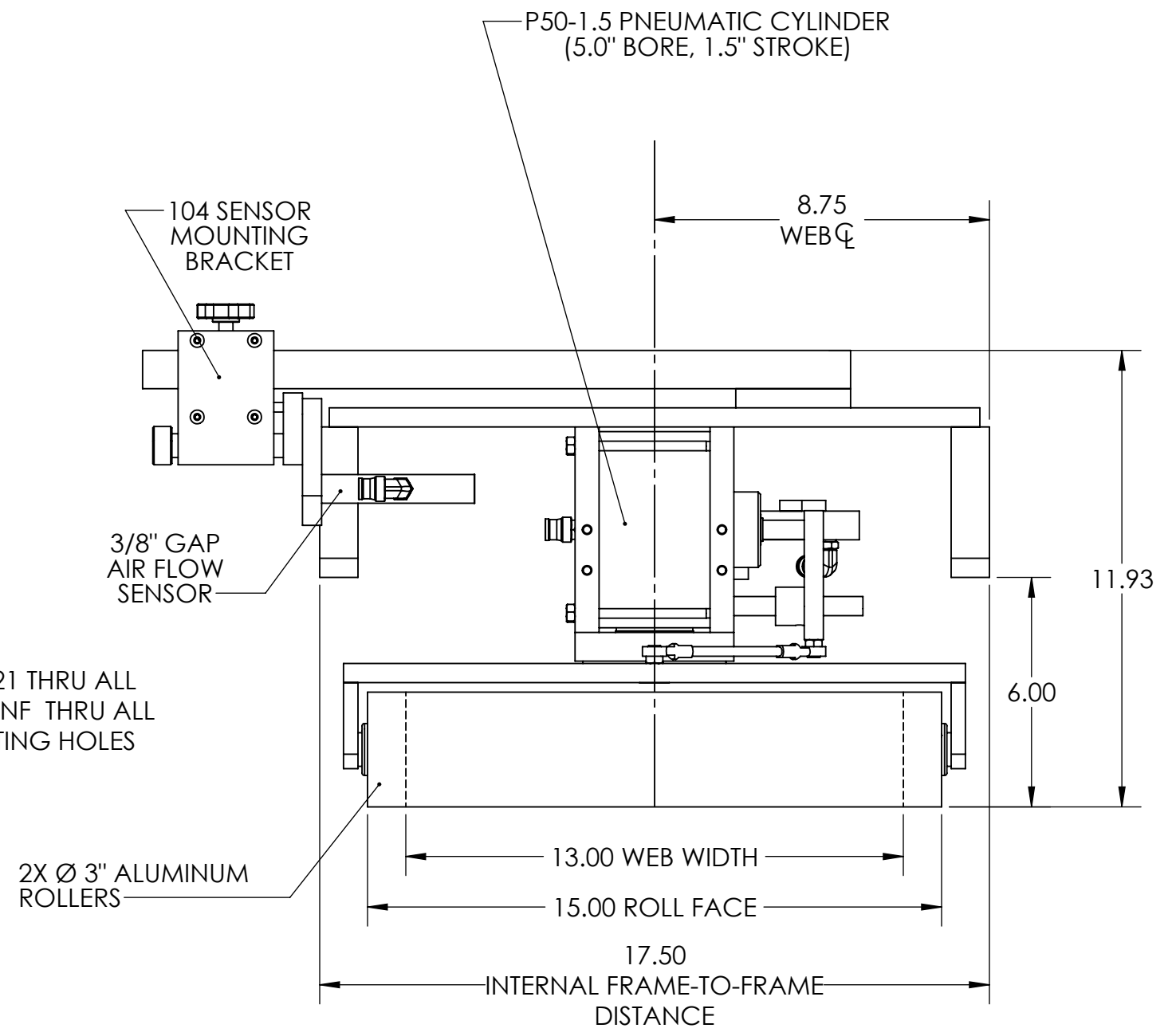


8 7 6 5 4 3 2 1

D  
C  
B  
A



MACHINE CUTOUTS



DRAWINGS FOR APPROVAL NEED TO BE SIGNED, DATED AND RETURNED TO COAST CONTROLS, INC. BEFORE ANY MANUFACTURING CAN BEGIN.

APPROVED SIGNATURE X \_\_\_\_\_ DATE \_\_\_\_\_

**PROPRIETARY AND CONFIDENTIAL**

THE INFORMATION CONTAINED IN THIS DRAWING IS THE SOLE PROPERTY OF COAST CONTROLS, INC. ANY REPRODUCTION IN PART OR AS A WHOLE WITHOUT THE WRITTEN PERMISSION OF COAST CONTROLS, INC. IS PROHIBITED.

**PROJECTION IS THIRD ANGLE**

FRACTIONS ± 1/32		ANGLES ± 1 DEG	
INCH	.X ±.030 .XX ±.015 .XXX ±.005 .XXXX ±.0005	.XXX ±.005 .XXXX ±.0005	
MM	.X ±1.0 .XX ±.50 .XXX ±.25		

DO NOT SCALE DRAWING

	NAME	DATE
DRAWN	CAS	7/26/2022
CHECKED		
ENG APPR.		
MFG APPR.		
Q.A.		
PAGE:	<b>3-4026</b>	
QUOTE:	<b>QXXXX-XX</b>	

**COAST CONTROLS**

COAST CONTROLS, INC.  
7500 COMMERCE CT.  
SARASOTA, FL34243  
www.coastcontrols.com  
941.355.7555 | 941.359.2321

TITLE: <b>DISPLACEMENT GUIDE FITS MARK ANDY 2200 13 inch</b>		
SIZE <b>B</b>	DWG. NO. MDG5-1513 Mark Andy 2200 13 inch	REV -
SCALE: 1:4	WEIGHT:	SHEET 1 OF 1

8 7 6 5 4 3 2 1