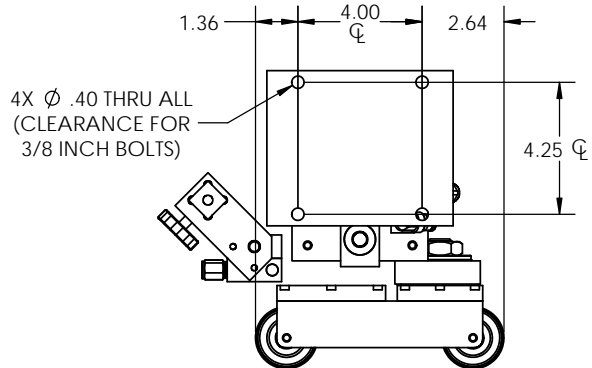
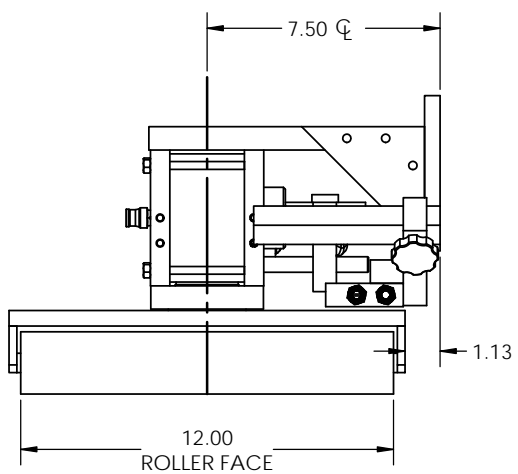
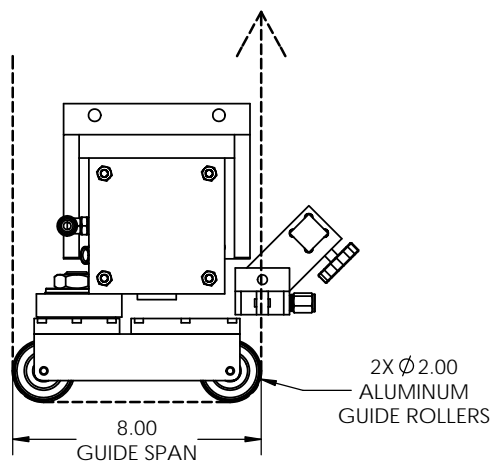
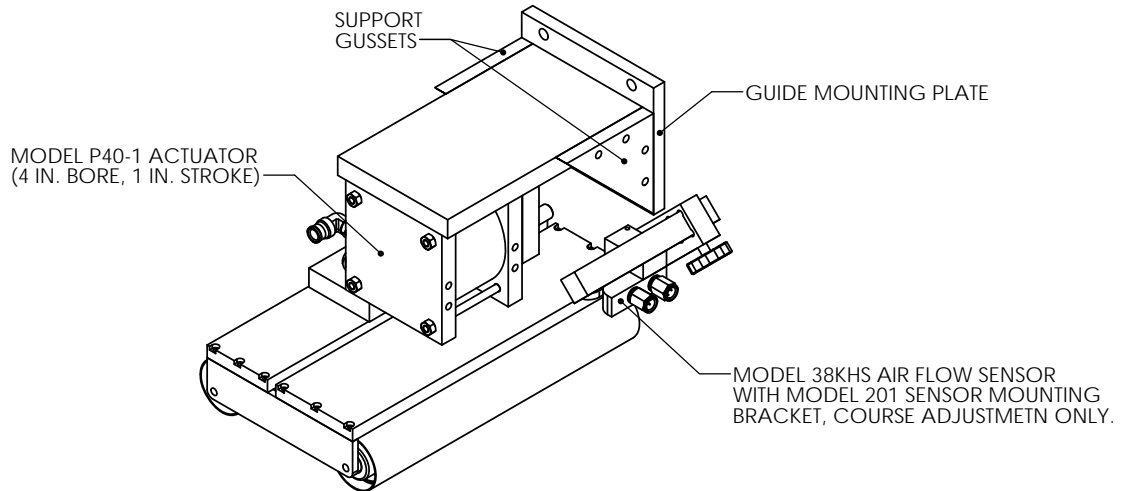
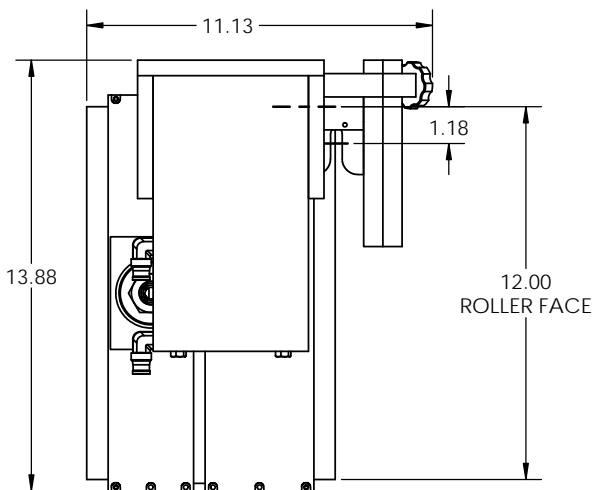


8 7 6 5 4 3 2 1



**COAST CONTROLS, INC.**  
 7500 COMMERCE CT.  
 SARASOTA, FL.34243  
 www.CoastControls.com  
 941.355.7555 - 941.359.2321

TITLE: **DISPLACEMENT GUIDE DIMENSIONS**

DRAWINGS FOR APPROVAL NEED TO BE SIGNED, DATED AND RETURNED TO COAST CONTROLS, INC. BEFORE ANY MANUFACTURING CAN BEGIN.

APPROVED SIGNATURE X \_\_\_\_\_ DATE \_\_\_\_\_

**PROPRIETARY AND CONFIDENTIAL**  
 THE INFORMATION CONTAINED IN THIS DRAWING IS THE SOLE PROPERTY OF COAST CONTROLS, INC. ANY REPRODUCTION IN PART OR AS A WHOLE WITHOUT THE WRITTEN PERMISSION OF COAST CONTROLS, INC. IS PROHIBITED.

| UNSPECIFIED TOLERANCES |             |                |               |
|------------------------|-------------|----------------|---------------|
| FRACTIONS ± 1/32       |             | ANGLES ± 1 DEG |               |
| INCH                   | .X<br>±.030 | .XX<br>±.015   | .XXX<br>±.005 |
| MM                     | .X<br>±1.0  | .XX<br>±.50    | .XXX<br>±.25  |

DO NOT SCALE DRAWING

|           | NAME | DATE       |
|-----------|------|------------|
| DRAWN     | kek  | 10/18/2017 |
| CHECKED   |      |            |
| ENG APPR. |      |            |
| MFG APPR. |      |            |
| Q.A.      |      |            |

PAGE: **3-2995**  
 QUOTE: **QXXXX-XX**

|               |                                       |              |
|---------------|---------------------------------------|--------------|
| SIZE <b>B</b> | DWG. NO. MDG4-1208 Mark Andy DCR 1000 | REV          |
| SCALE: 1:4    | WEIGHT:                               | SHEET 1 OF 1 |

8 7 6 5 4 3 2 1