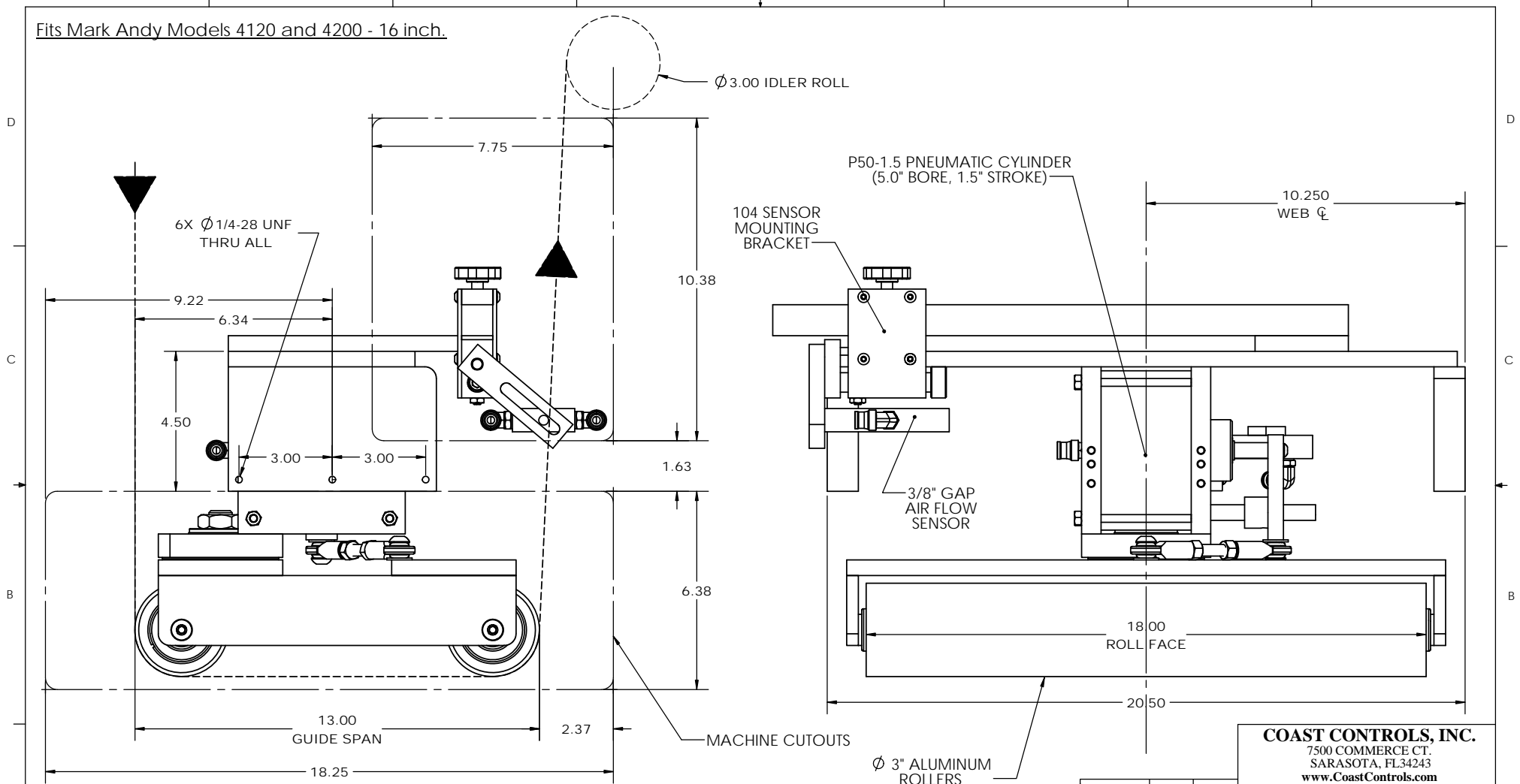


Fits Mark Andy Models 4120 and 4200 - 16 inch.



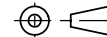
DRAWINGS FOR APPROVAL NEED TO BE SIGNED, DATED AND RETURNED TO COAST CONTROLS, INC. BEFORE ANY MANUFACTURING CAN BEGIN.

APPROVED SIGNATURE X _____

DATE _____

PROPRIETARY AND CONFIDENTIAL
 THE INFORMATION CONTAINED IN THIS DRAWING IS THE SOLE PROPERTY OF COAST CONTROLS, INC. ANY REPRODUCTION IN PART OR AS A WHOLE WITHOUT THE WRITTEN PERMISSION OF COAST CONTROLS, INC. IS PROHIBITED.

PROJECTION IS THIRD ANGLE



UNSPECIFIED TOLERANCES			
FRACTIONS \pm 1/32	ANGLES \pm 1 DEG		
INCH .X	.XX	.XXX	.XXXX
\pm .030	\pm .015	\pm .005	\pm .0005
MM .X	.XX	.XXX	
\pm 1.0	\pm .50	\pm .25	

DO NOT SCALE DRAWING

	NAME	DATE
DRAWN	twh	8/27/2015
CHECKED		
ENG APPR.		
MFG APPR.		
Q.A.		

PAGE: 3-2065
 QUOTE: QXXXX-XX

COAST CONTROLS, INC.
 7500 COMMERCE CT.
 SARASOTA, FL34243
 www.CoastControls.com

941.355.7555 - 941.359.2321

TITLE: DISPLACEMENT GUIDE DIMENSIONS

SIZE	DWG. NO.	REV
B	MDG5-1813 MARK ANDY 16 INCH	

SCALE: 1:3 WEIGHT: SHEET 1 OF 1