

**COAST CONTROLS, INC.**  
 7500 COMMERCE CT.  
 SARASOTA, FL34243  
 www.CoastControls.com  
 941.355.7555 - 941.359.2321

TITLE:  
**DISPLACEMENT  
 GUIDE FITS BOTH MARK  
 ANDY 2200 & 4120, 10 inch**

DRAWINGS FOR APPROVAL NEED TO BE SIGNED, DATED AND RETURNED TO  
 COAST CONTROLS, INC. BEFORE ANY MANUFACTURING CAN BEGIN.

APPROVED SIGNATURE X \_\_\_\_\_ DATE \_\_\_\_\_

**PROPRIETARY AND CONFIDENTIAL**  
 THE INFORMATION CONTAINED IN THIS  
 DRAWING IS THE SOLE PROPERTY OF  
 COAST CONTROLS, INC. ANY  
 REPRODUCTION IN PART OR AS A WHOLE  
 WITHOUT THE WRITTEN PERMISSION OF  
 COAST CONTROLS, INC. IS  
 PROHIBITED.

PROJECTION  
 IS THIRD ANGLE

UNSPECIFIED TOLERANCES			
FRACTIONS	1/32	ANGLES	± 1 DEG
INCH	.X ±.030	.XX ±.015	.XXX ±.005 .XXXX ±.0005
MM	.X ±1.0	.XX ±.50	.XXX ±.25

DO NOT SCALE DRAWING

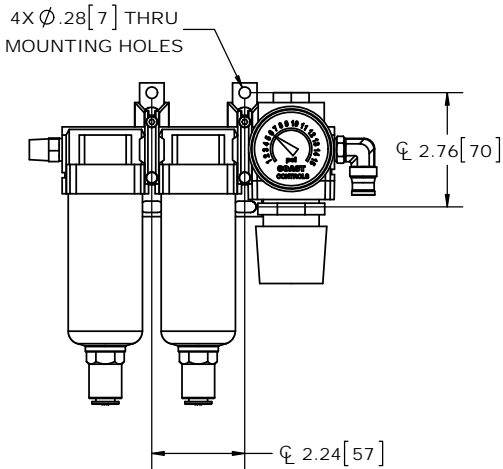
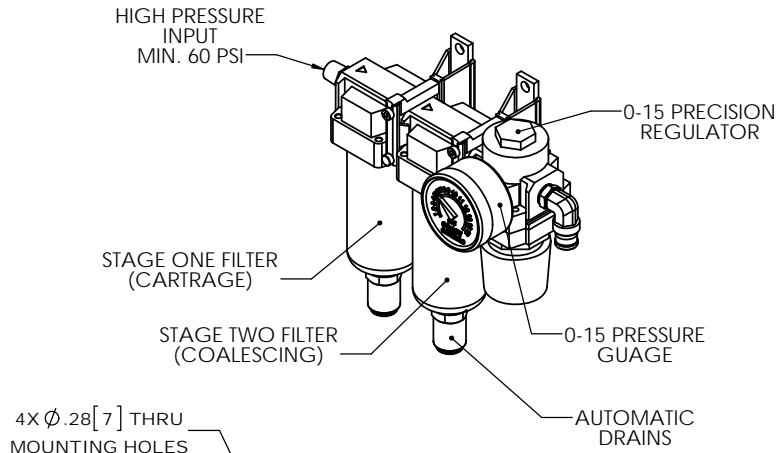
	NAME	DATE
DRAWN	TWH	8/31/2017
CHECKED	KEK	7/25/13
ENG APPR.		
MFG APPR.		
Q.A.		

PAGE: .  
**3-2064**  
 QUOTE: **QXXXX-XX**

SIZE	DWG. NO.	REV
<b>B</b>	MDG5-1213 Mark Andy 2200, 4120 10 inch	

SCALE: 1:3 WEIGHT: SHEET 1 OF 1

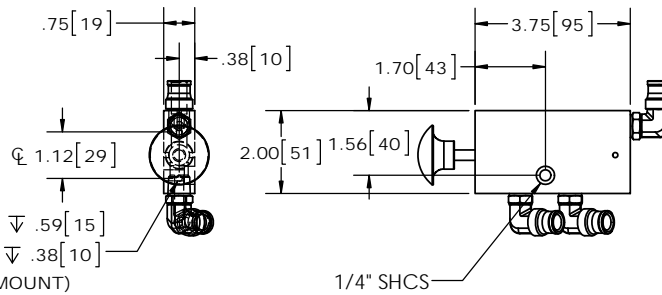
**TWO-STAGE CARTRIDGE/COALESCING AIR FILTER AND PRECISION LOW-PRESSURE REGULATOR/GUAGE.**  
P/N: FRGAC



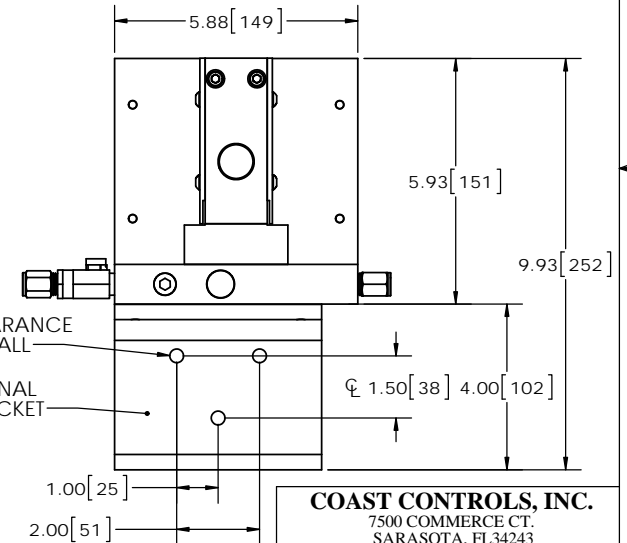
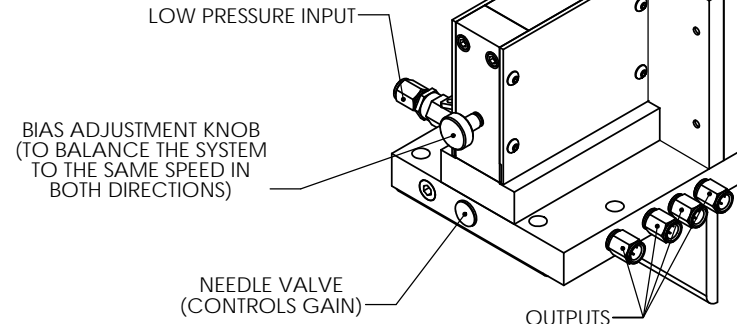
2x Ø .15 [4]  $\nabla$  .59 [15]  
10-24 UNC  $\nabla$  .38 [10]  
(PANEL MOUNT)

**3-WAY AUTO CENTER VALVE (OPTIONAL)**  
P/N: ACA3W

PUSH/PULL 3-WAY VALVE  
PUSH TO GUIDE  
PULL TO SERVO CENTER



**SERVO CONTROLLER**  
P/N: SC10A



**COAST CONTROLS, INC.**  
7500 COMMERCE CT.  
SARASOTA, FL 34243  
www.CoastControls.com

941.355.7555 - 941.359.2321

TITLE:  
**GUIDE SUPPORT EQUIPMENT  
SERVO CONTROLLER  
TWO-STAGE FILTER  
3-WAY VALVE**

DRAWN	NAME	DATE
CHECKED	TWH	2/28/2012
ENG APPR.		
MFG APPR.		
Q.A.		

PAGE: .  
**3-1606**  
QUOTE: **QXXXX-XX**

SIZE DWG. NO. REV  
**B** GUIDE SUPPORT EQUIP. WITH 3-WAY

SCALE: 1:3 WEIGHT: SHEET 1 OF 1



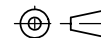
DRAWINGS FOR APPROVAL NEED TO BE SIGNED, DATED AND RETURNED TO COAST CONTROLS, INC. BEFORE ANY MANUFACTURING CAN BEGIN.

APPROVED SIGNATURE X \_\_\_\_\_

DATE \_\_\_\_\_

**PROPRIETARY AND CONFIDENTIAL**  
THE INFORMATION CONTAINED IN THIS DRAWING IS THE SOLE PROPERTY OF COAST CONTROLS, INC. ANY REPRODUCTION IN PART OR AS A WHOLE WITHOUT THE WRITTEN PERMISSION OF COAST CONTROLS, INC. IS PROHIBITED.

PROJECTION IS THIRD ANGLE



UNSPECIFIED TOLERANCES

FRACTIONS ± 1/32	ANGLES ± 1 DEG		
INCH	.X ±.030	.XX ±.015	.XXX ±.005
MM	.X ±1.0	.XX ±.50	.XXX ±.25

DO NOT SCALE DRAWING