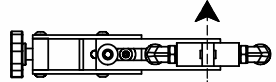


12.00 ROLL FACE

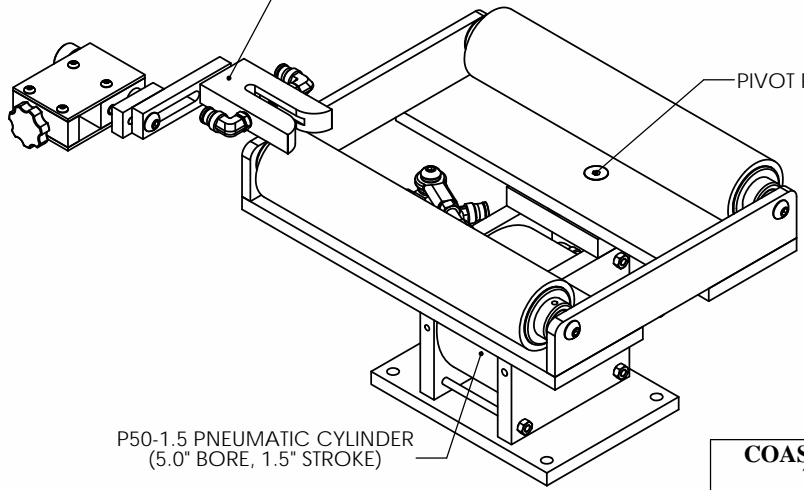


2X Ø2.50 ALUMINUM ROLLERS

12.00 GUIDE SPAN

9.96

38 SENSOR (.375" GAP) WITH 104 SENSOR MOUNTING BRACKET



PIVOT POINT

P50-1.5 PNEUMATIC CYLINDER (5.0" BORE, 1.5" STROKE)

8.00

3.63

Ø 7.00

3.63

3.75

Ø 5.00

3.25

4X Ø .40 THRU ALL



DRAWINGS FOR APPROVAL NEED TO BE SIGNED, DATED AND RETURNED TO COAST CONTROLS, INC. BEFORE ANY MANUFACTURING CAN BEGIN.

APPROVED SIGNATURE X _____

DATE _____

PROPRIETARY AND CONFIDENTIAL THE INFORMATION CONTAINED IN THIS DRAWING IS THE SOLE PROPERTY OF COAST CONTROLS, INC. ANY REPRODUCTION IN PART OR AS A WHOLE WITHOUT THE WRITTEN PERMISSION OF COAST CONTROLS, INC. IS PROHIBITED.

PROJECTION IS THIRD ANGLE

UNSPECIFIED TOLERANCES			
FRACTIONS	± 1/32	ANGLES	± 1 DEG
INCH	.X ±.030	.XX ±.015	.XXX ±.005
MM	.X ±1.0	.XX ±.50	.XXX ±.25

DO NOT SCALE DRAWING

	NAME	DATE
DRAWN	TWH	1/4/2013
CHECKED		
ENG APPR.		
MFG APPR.		
Q.A.		

PAGE: 3-2010
QUOTE: Q1210-08

COAST CONTROLS, INC.
7500 COMMERCE CT.
SARASOTA, FL34243
www.CoastControls.com

941.355.7555 - 941.359.2321

TITLE: DISPLACEMENT GUIDE DIMENSIONS

SIZE DWG. NO. REV
B MDG5-1212-104BKT

SCALE: 1:4 WEIGHT: SHEET 1 OF 1