

8 7 6 5 4 3 2 1

D

D

C

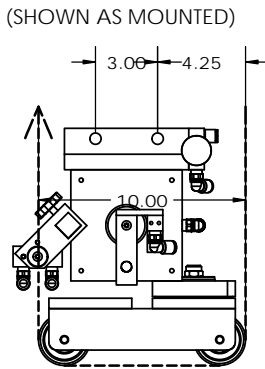
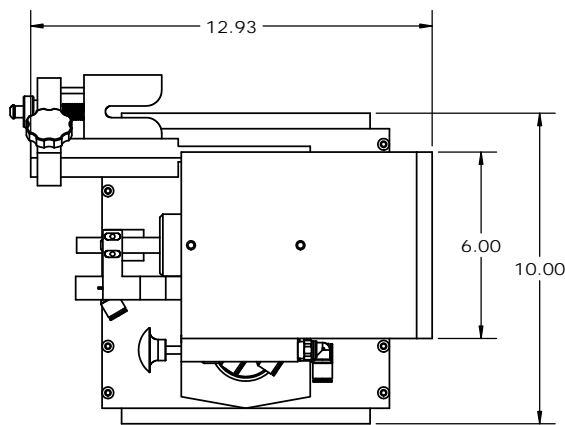
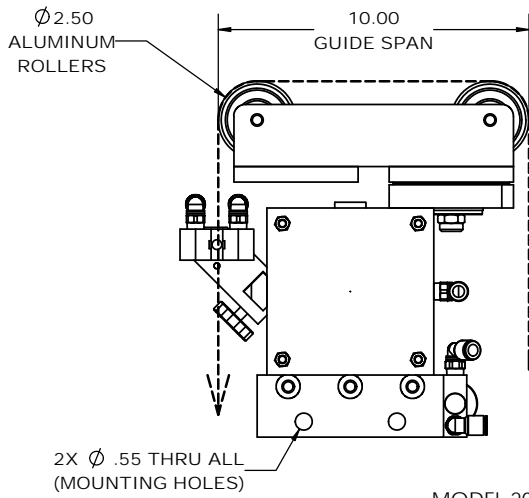
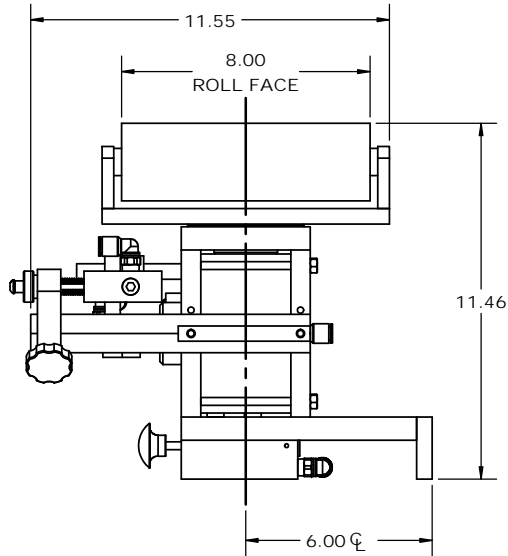
C

B

B

A

A



SCALE: 1:6

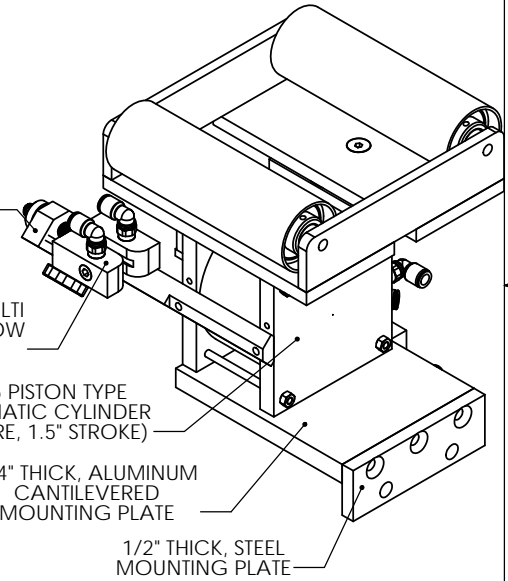
MODEL 201 SENSOR MOUNTING BRACKET

3/8" GAP, MULTI PORT, AIR FLOW SENSOR

P50-1.5 PISTON TYPE PNEUMATIC CYLINDER (5" BORE, 1.5" STROKE)

3/4" THICK, ALUMINUM CANTILEVERED MOUNTING PLATE

1/2" THICK, STEEL MOUNTING PLATE



DRAWINGS FOR APPROVAL NEED TO BE SIGNED, DATED AND RETURNED TO COAST CONTROLS, INC. BEFORE ANY MANUFACTURING CAN BEGIN.

APPROVED SIGNATURE X \_\_\_\_\_ DATE \_\_\_\_\_

PROPRIETARY AND CONFIDENTIAL  
THE INFORMATION CONTAINED IN THIS DRAWING IS THE SOLE PROPERTY OF COAST CONTROLS, INC. ANY REPRODUCTION IN PART OR AS A WHOLE WITHOUT THE WRITTEN PERMISSION OF COAST CONTROLS, INC. IS PROHIBITED.

PROJECTION IS THIRD ANGLE

UNSPECIFIED TOLERANCES			
FRACTIONS	± 1/32	ANGLES	± 1 DEG
INCH	.X ±.030	.XX ±.015	.XXX ±.005 .XXXX ±.0005
MM	.X ±1.0	.XX ±.50	.XXX ±.25

DO NOT SCALE DRAWING

	NAME	DATE
DRAWN	KEK	6/23/2011
CHECKED		
ENG APPR.		
MFG APPR.		
Q.A.		

PAGE: 3-1796  
QUOTE: QXXXX-XX

**COAST CONTROLS, INC.**  
7500 COMMERCE CT.  
SARASOTA, FL34243  
www.CoastControls.com  
941.355.7555 - 941.359.2321

TITLE:  
DISPLACEMENT GUIDE  
DIMENSIONS FOR MDG5-0810  
-MARK ANDY 910, 7-INCH-

SIZE	DWG. NO.	REV
B	MDG5-0810 Mark Andy 910 7	

SCALE: 1:4 WEIGHT: SHEET 1 OF 1

8 7 6 5 4 3 2 1