



8 7 6 5 4 3 2 1

D

D

C

C

B

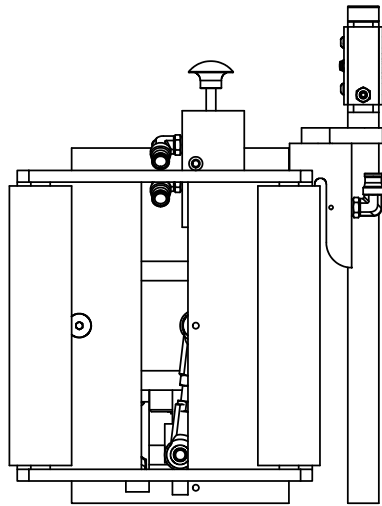
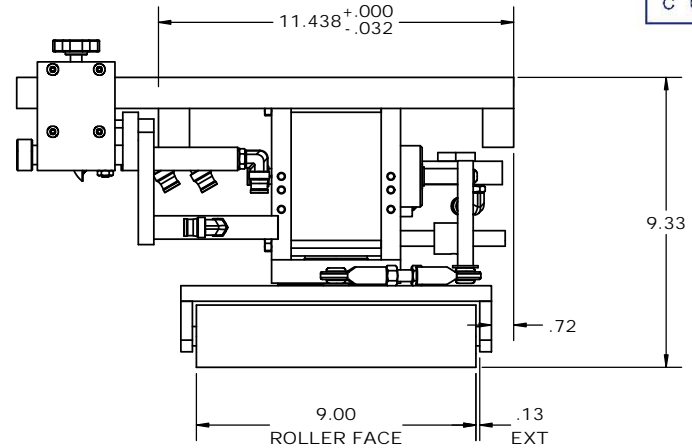
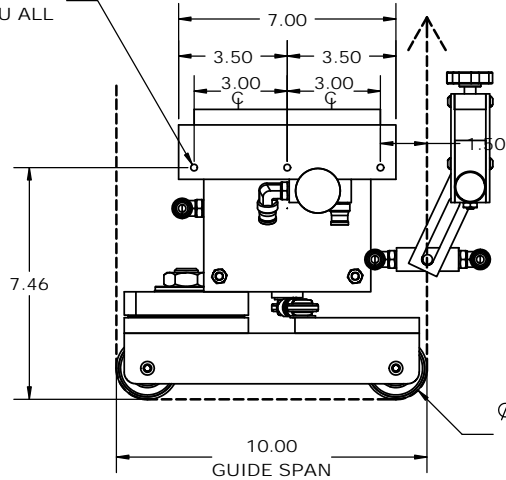
B

A

A

>>>WEB DIRECTION>>>

6X 1/4-28 UNF
THRU ALL



Cross Plate
11.438 +.000/-.032
to fit inside
machine frame

Auto Center
3-Way, Push/Pull
Selector Valve

P50-1.5 PISTON TYPE
PNEUMATIC CYLINDER

CUSTOM SENSOR
MOUNTING BAR

MODEL 104 SENSOR
MOUNTING BRACKET
W/ FINE AND COURSE ADJ

MODEL 38
EDGE SENSOR



COAST CONTROLS, INC.
7500 COMMERCE CT.
SARASOTA, FL34243
www.CoastControls.com

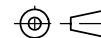
941.355.7555 - 941.359.2321

TITLE:
DISPLACEMENT GUIDE
DIMENSIONS FOR MARK ANDY
2100/2200 7" PRESS

	NAME	DATE
DRAWN	KEK	12/8/2015
CHECKED		
ENG APPR.		
MFG APPR.		
Q.A.		

PAGE: .
3-1636
QUOTE: .
QXXXX-XX

PROJECTION
IS THIRD ANGLE



UNSPECIFIED TOLERANCES			
	FRACTIONS ± 1/32	ANGLES ± 1 DEG	
INCH	.X ±.030	.XX ±.015	.XXX ±.005 -XXX ±.005
MM	.X ±1.0	.XX ±.50	.XXX ±.25

DO NOT SCALE DRAWING

DRAWINGS FOR APPROVAL NEED TO BE SIGNED, DATED AND RETURNED TO
COAST CONTROLS, INC. BEFORE ANY MANUFACTURING CAN BEGIN.

APPROVED SIGNATURE X _____

DATE _____

PROPRIETARY AND CONFIDENTIAL
THE INFORMATION CONTAINED IN THIS
DRAWING IS THE SOLE PROPERTY OF
COAST CONTROLS, INC. ANY
REPRODUCTION IN PART OR AS A WHOLE
WITHOUT THE WRITTEN PERMISSION OF
COAST CONTROLS, INC. IS
PROHIBITED.

SIZE	DWG. NO.	REV
B	MDG5-0910 Mark Andy 2100-2200 7-Inch	

SCALE: 1:4 WEIGHT: SHEET 1 OF 1

8 7 6 5 4 3 2 1