

8 7 6 5 4 3 2 1

D

D

C

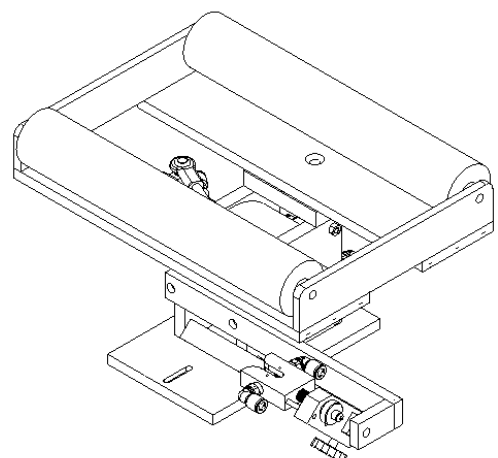
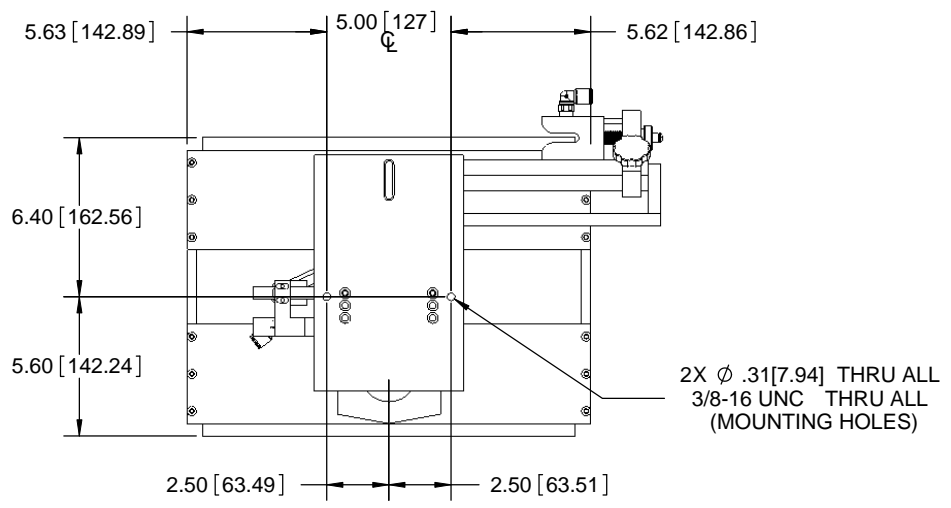
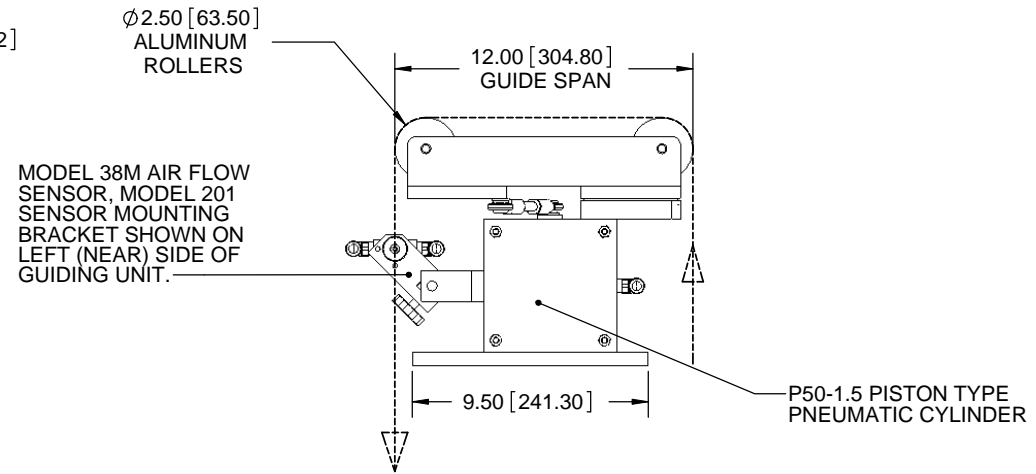
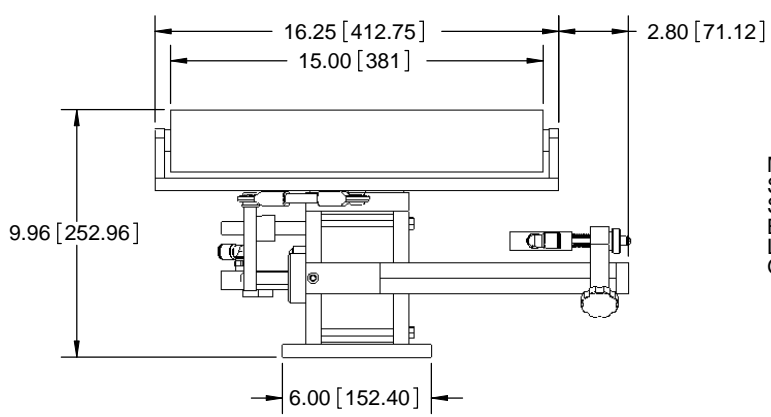
C

B

B

A

A



DRAWINGS FOR APPROVAL NEED TO BE SIGNED, DATED AND RETURNED TO COAST CONTROLS, INC. BEFORE ANY MANUFACTURING CAN BEGIN.

APPROVED SIGNATURE X \_\_\_\_\_ DATE \_\_\_\_\_

**PROPRIETARY AND CONFIDENTIAL**  
 THE INFORMATION CONTAINED IN THIS DRAWING IS THE SOLE PROPERTY OF COAST CONTROLS, INC. ANY REPRODUCTION IN PART OR AS A WHOLE WITHOUT THE WRITTEN PERMISSION OF COAST CONTROLS, INC. IS PROHIBITED.

PROJECTION IS THIRD ANGLE		UNSPECIFIED TOLERANCES	
FRACTIONS ± 1/32		ANGLES ± 1 DEG	
INCH	.X ±.030	.XX ±.015	.XXX ±.005
MM	.X ±1.0	.XX ±.50	.XXX ±.25
DO NOT SCALE DRAWING			

DRAWN	NAME	DATE
CHECKED	KEK	8/29/2008
ENG APPR.		
MFG APPR.		
Q.A.		
PAGE:	3-1463	
QUOTE:	QXXX-XX	

<b>COAST CONTROLS, INC.</b> 7500 COMMERCE CT. SARASOTA, FL34243 941.355.7555 - 941.359.2321		
TITLE: <b>DISPLACEMENT GUIDE DIMENSIONS</b>		
SIZE	DWG. NO.	REV
<b>B</b>	MDG5-1512 Left	
SCALE: 1:5	WEIGHT:	SHEET 1 OF 1

8 7 6 5 4 3 2 1