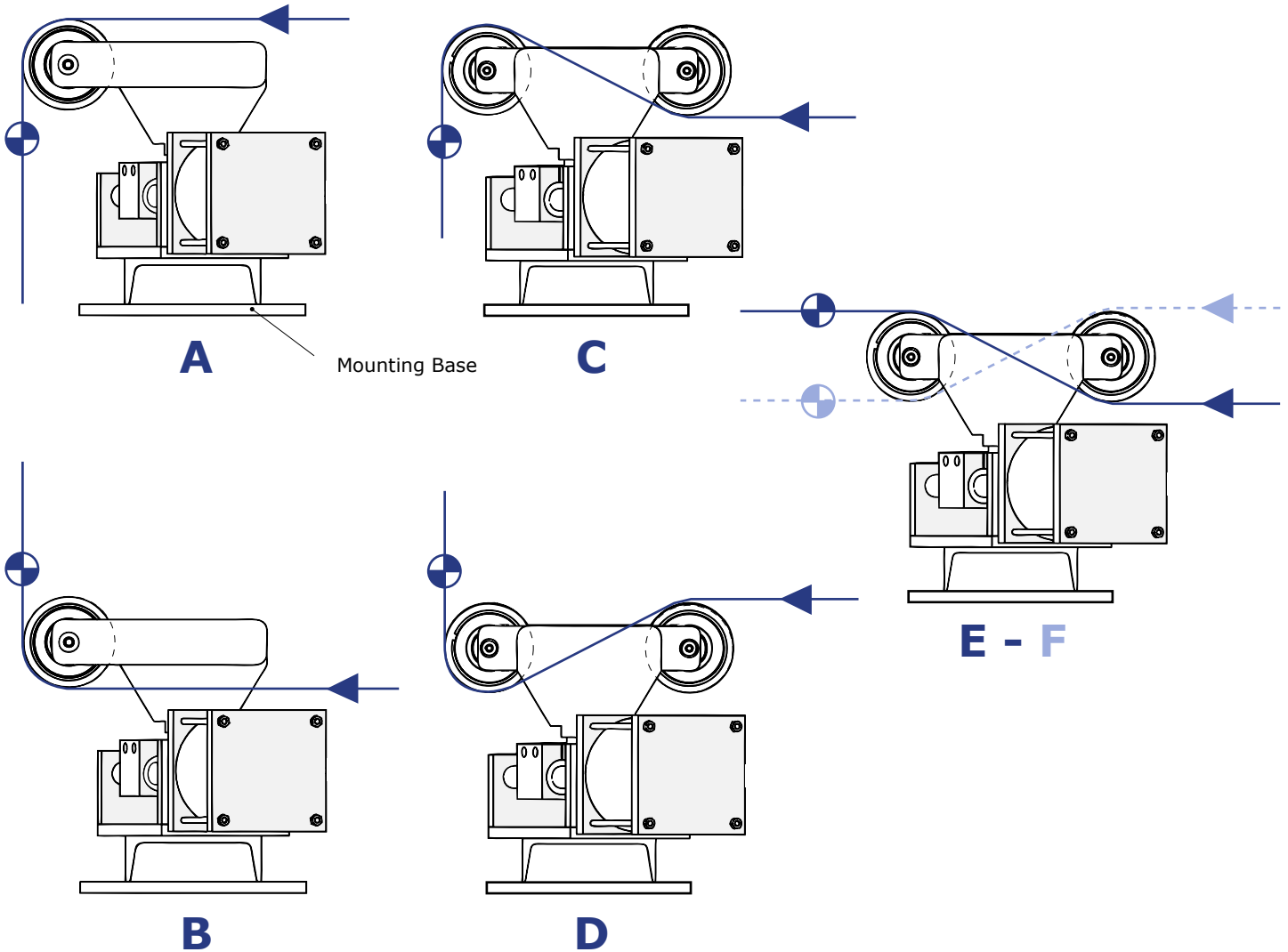


Typical Steering Guide Installation and Threading Options

⊕ = Sensor

▲ = Web Direction



* Note: The air-flow sensor should be located as close to the existing guide roller as possible and within the first 1/3 of the existing span.