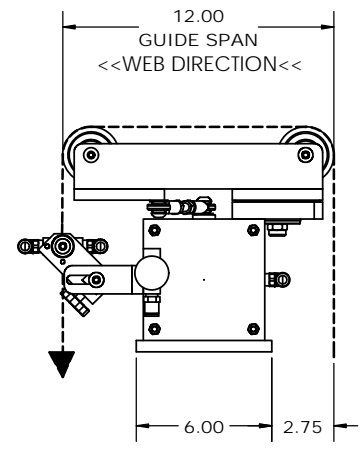
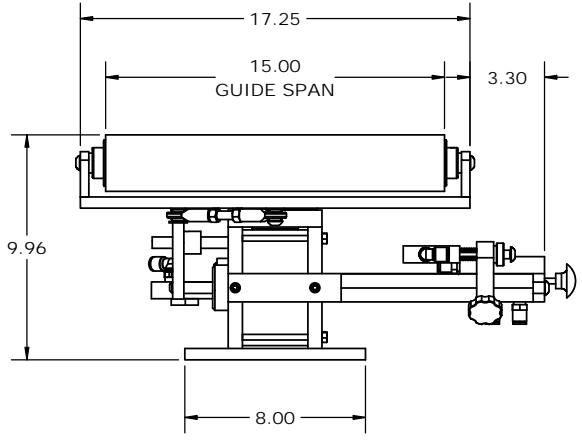
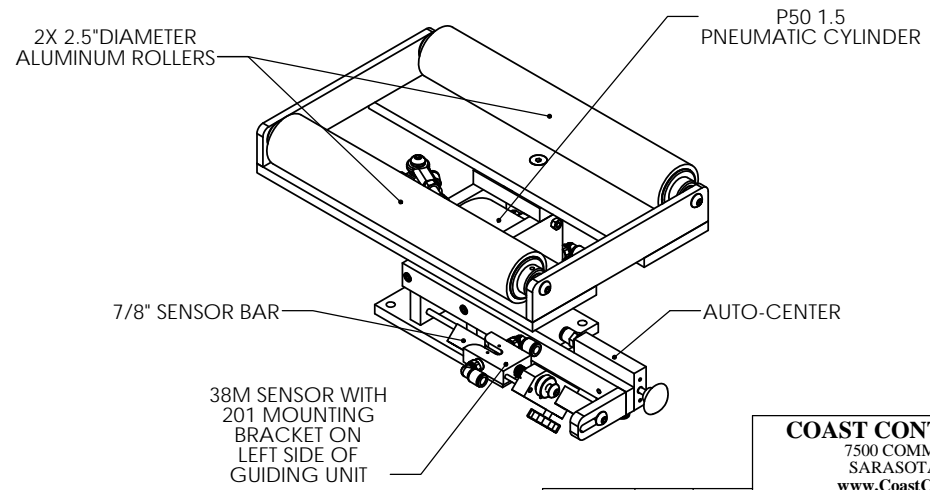
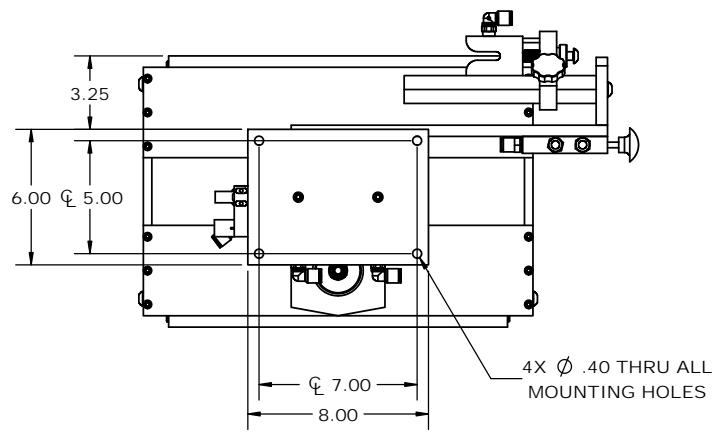


8 7 6 5 4 3 2 1

D



C



B

D

C

B



DRAWINGS FOR APPROVAL NEED TO BE SIGNED, DATED AND RETURNED TO COAST CONTROLS, INC. BEFORE ANY MANUFACTURING CAN BEGIN.

PROPRIETARY AND CONFIDENTIAL
 THE INFORMATION CONTAINED IN THIS DRAWING IS THE SOLE PROPERTY OF COAST CONTROLS, INC. ANY REPRODUCTION IN PART OR AS A WHOLE WITHOUT THE WRITTEN PERMISSION OF COAST CONTROLS, INC. IS PROHIBITED.

UNSPECIFIED TOLERANCES			
FRACTIONS	± 1/32	ANGLES	± 1 DEG
INCH	.X ±.030	.XX ±.015	.XXX ±.005 .XXXX ±.0005
MM	.X ±1.0	.XX ±.50	.XXX ±.25
DO NOT SCALE DRAWING			

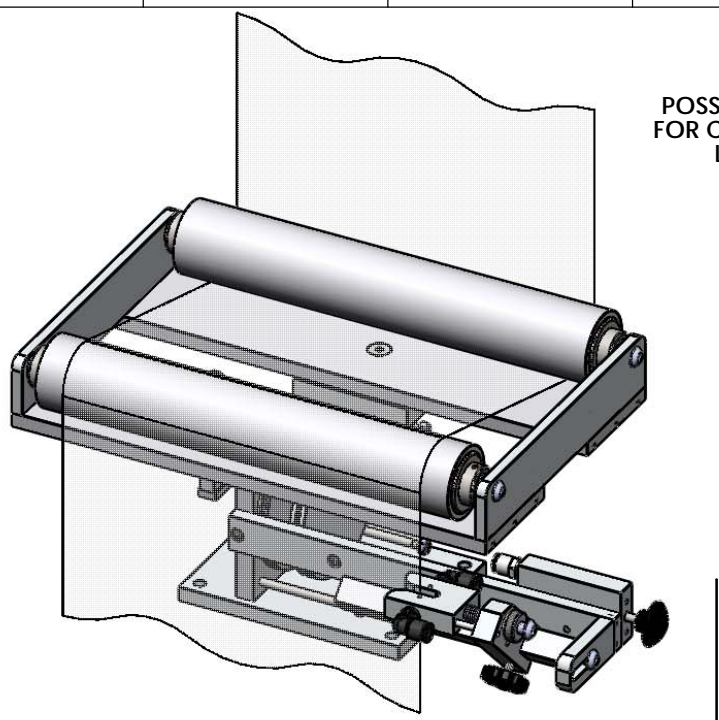
PROJECTION IS THIRD ANGLE	NAME	DATE
	TWH	4/19/2011
	CHECKED	
	ENG APPR.	
	MFG APPR.	
	Q.A.	
PAGE: .	3-1731	
QUOTE: .	QXXXX-XX	

COAST CONTROLS, INC. 7500 COMMERCE CT. SARASOTA, FL34243 www.CoastControls.com 941.355.7555 - 941.359.2321		
TITLE: DISPLACEMENT GUIDE DIMENSIONS		
SIZE B	DWG. NO. MDG5-1512_STANDARD_LEFT	REV
SCALE: 1:5	WEIGHT:	SHEET 1 OF 1

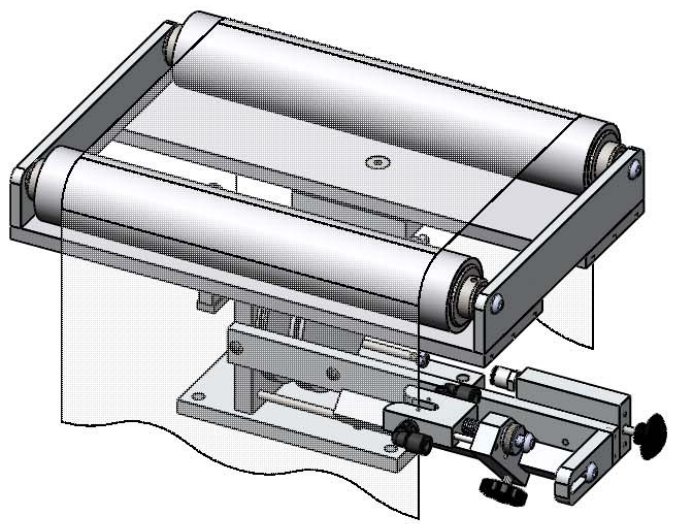
APPROVED SIGNATURE X _____ DATE _____

8 7 6 5 4 3 2 1

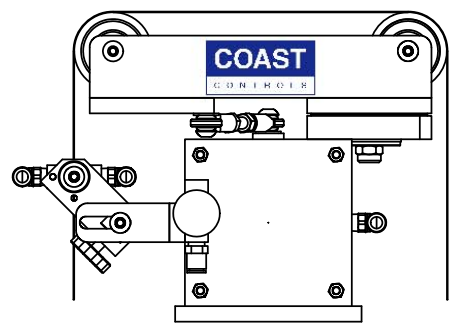
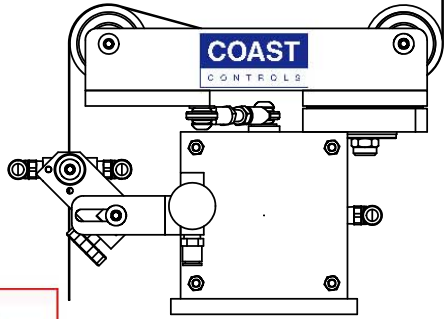
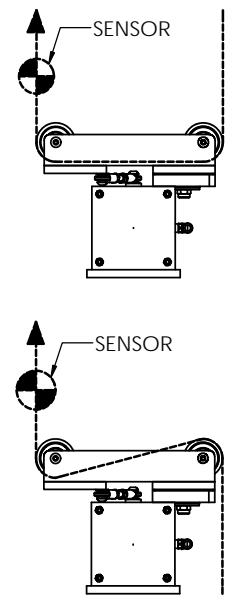
8 7 6 5 4 3 2 1



POSSIBLE WEB PATHS FOR CURRENT SENSOR LOCATION.



OTHER POSSIBLE SENSOR CONFIGURATIONS



COAST CONTROLS, INC.
 7500 COMMERCE CT.
 SARASOTA, FL34243
 www.CoastControls.com
 941.355.7555 - 941.359.2321

TITLE: **DISPLACEMENT GUIDE DIMENSIONS**

DRAWINGS FOR APPROVAL NEED TO BE SIGNED, DATED AND RETURNED TO COAST CONTROLS, INC. BEFORE ANY MANUFACTURING CAN BEGIN.

APPROVED SIGNATURE X _____ DATE _____

PROPRIETARY AND CONFIDENTIAL
 THE INFORMATION CONTAINED IN THIS DRAWING IS THE SOLE PROPERTY OF COAST CONTROLS, INC. ANY REPRODUCTION IN PART OR AS A WHOLE WITHOUT THE WRITTEN PERMISSION OF COAST CONTROLS, INC. IS PROHIBITED.

UNSPECIFIED TOLERANCES			
FRACTIONS	± 1/32	ANGLES	± 1 DEG
INCH	.X ±.030	.XX ±.015	.XXX ±.005 .XXXX ±.0005
MM	.X ±1.0	.XX ±.50	.XXX ±.25
DO NOT SCALE DRAWING			

PROJECTION IS THIRD ANGLE

DRAWN	NAME	DATE
CHECKED		
ENG APPR.		
MFG APPR.		
Q.A.		

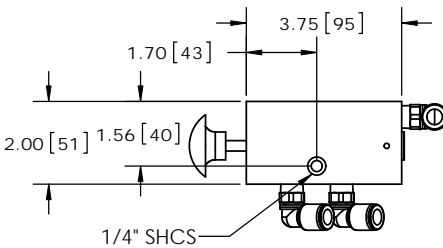
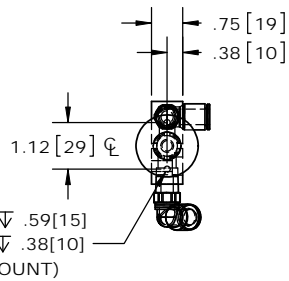
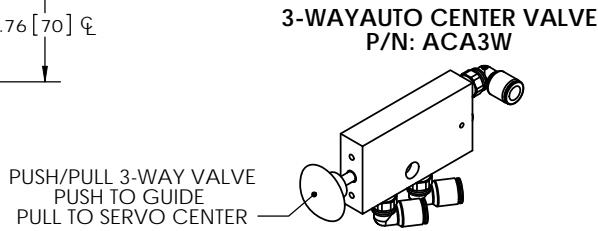
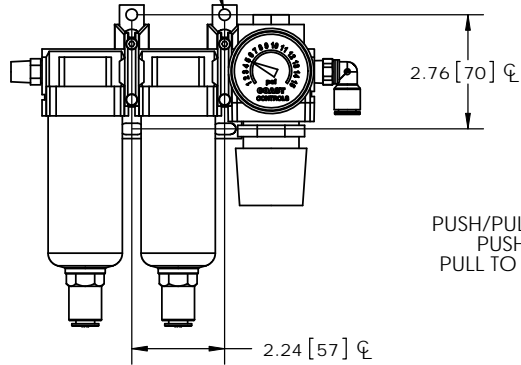
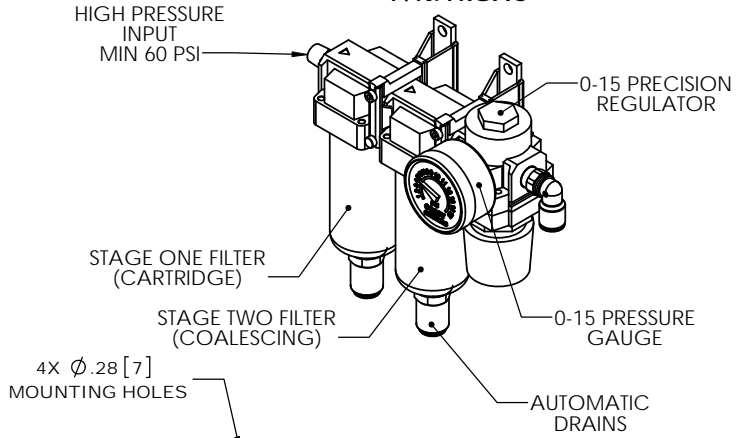
PAGE: **3-1731-A**
 QUOTE: **QXXXX-XX**

SIZE	DWG. NO.	REV
B	MDG5-1512_STANDARD_LEFT_1A	
SCALE: 1:4	WEIGHT:	SHEET 1 OF 1

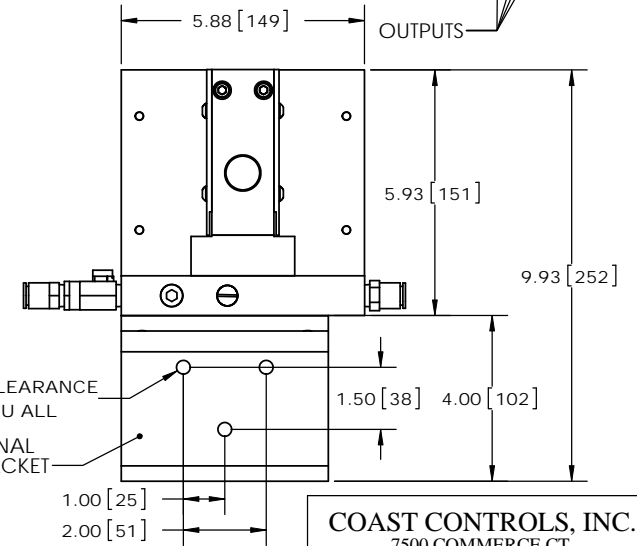
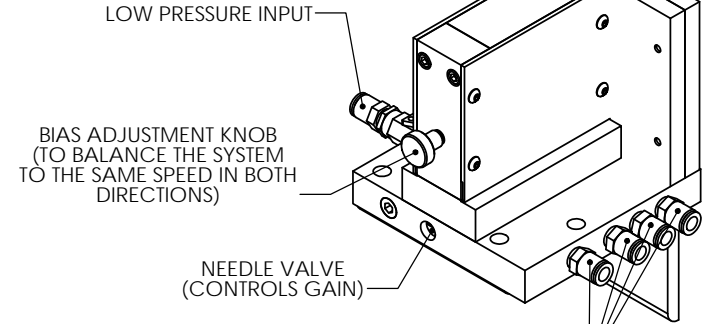
8 7 6 5 4 3 2 1

8 7 6 5 4 3 2 1

TWO-STAGE CARTRIDGE/COALESCING AIR FILTER AND PRECISION LOW-PRESSURE REGULATOR/GAUGE.
P/N: FRGAC



SERVO CONTROLLER
P/N: SC10A



COAST CONTROLS, INC.
7500 COMMERCE CT.
SARASOTA, FL34243

941.355.7555 - 941.359.2321

TITLE:
GUIDE SUPPORT EQUIPMENT
SERVO CONTROLLER,
TWO-STAGE FILTER AND
3-WAY VALVE

NAME	DATE
DRAWN KEK	5/19/2010
CHECKED	
ENG APPR.	
MFG APPR.	
Q.A.	

PAGE: **3-1606**
QUOTE: **QXXX-XX**

SIZE B	DWG. NO. 3-05675	REV
SCALE: 1:3	WEIGHT:	SHEET 2 OF 2



DRAWINGS FOR APPROVAL NEED TO BE SIGNED, DATED AND RETURNED TO COAST CONTROLS, INC. BEFORE ANY MANUFACTURING CAN BEGIN.

APPROVED SIGNATURE X _____ DATE _____

PROPRIETARY AND CONFIDENTIAL
THE INFORMATION CONTAINED IN THIS DRAWING IS THE SOLE PROPERTY OF COAST CONTROLS, INC. ANY REPRODUCTION IN PART OR AS A WHOLE WITHOUT THE WRITTEN PERMISSION OF COAST CONTROLS, INC. IS PROHIBITED.

UNSPECIFIED TOLERANCES			
FRACTIONS ± 1/32	ANGLES ± 1 DEG		
INCH .X .XX .XXX .XXXX	±.030	±.015	±.005 ±.0005
MM .X .XX .XXX	±1.0	±.50	±.25
DO NOT SCALE DRAWING			

8 7 6 5 4 3 2 1