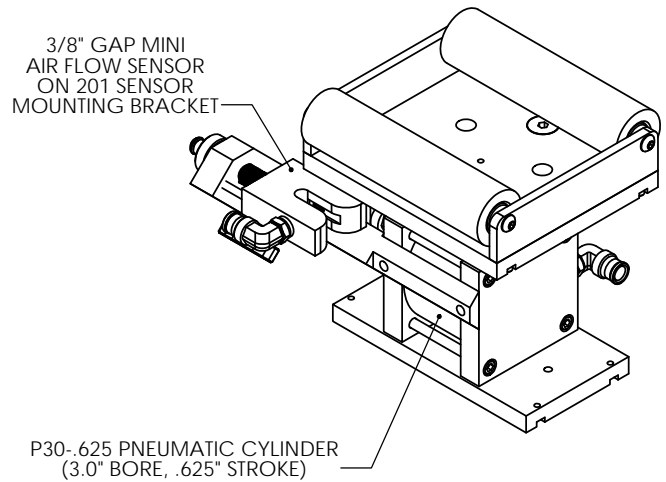
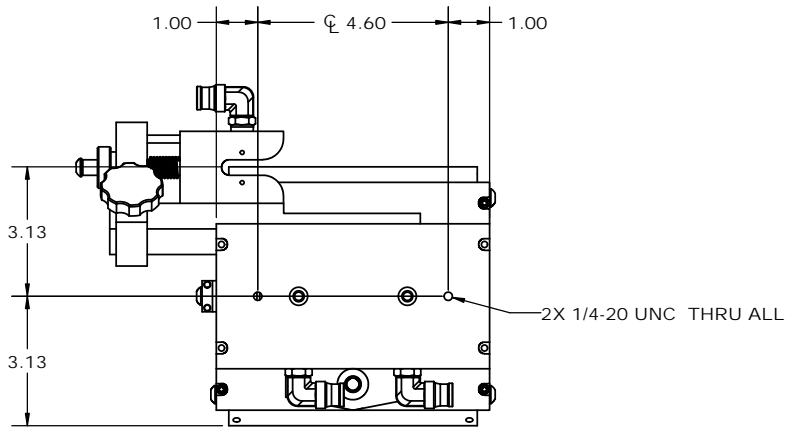
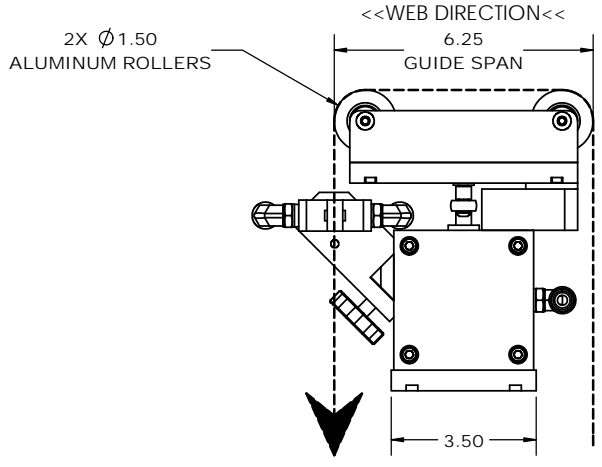
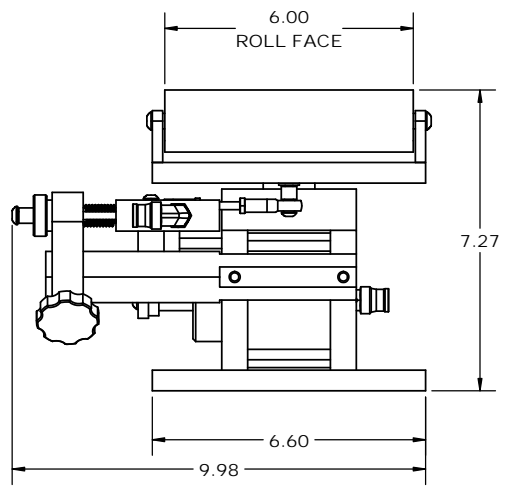


8 7 6 5 4 3 2 1



DRAWINGS FOR APPROVAL NEED TO BE SIGNED, DATED AND RETURNED TO COAST CONTROLS, INC. BEFORE ANY MANUFACTURING CAN BEGIN.

APPROVED SIGNATURE X _____ DATE _____

PROPRIETARY AND CONFIDENTIAL
 THE INFORMATION CONTAINED IN THIS DRAWING IS THE SOLE PROPERTY OF COAST CONTROLS, INC. ANY REPRODUCTION IN PART OR AS A WHOLE WITHOUT THE WRITTEN PERMISSION OF COAST CONTROLS, INC. IS PROHIBITED.

PROJECTION IS THIRD ANGLE			
UNSPECIFIED TOLERANCES			
FRACTIONS ± 1/32		ANGLES ± 1 DEG	
INCH	.X ±.030	.XX ±.015	.XXX ±.005 .XXXX ±.0005
MM	.X ±1.0	.XX ±.50	.XXX ±.25
DO NOT SCALE DRAWING			

NAME	DATE
DRAWN twh	10/14/2014
CHECKED	
ENG APPR.	
MFG APPR.	
Q.A.	
PAGE: 3-2098	
QUOTE: QXXXX-XX	

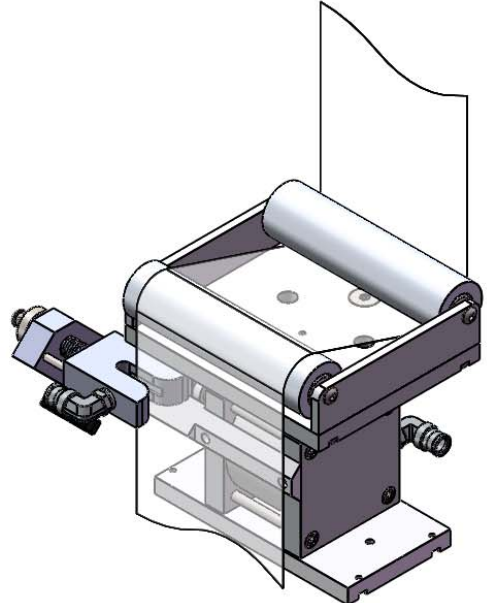
COAST CONTROLS, INC. 7500 COMMERCE CT. SARASOTA, FL34243 www.CoastControls.com 941.355.7555 - 941.359.2321		
TITLE: DISPLACEMENT GUIDE DIMENSIONS		
SIZE B	DWG. NO. MDG3-0606-RH STANDARD	REV
SCALE: 1:3	WEIGHT:	SHEET 1 OF 2

8 7 6 5 4 3 2 1

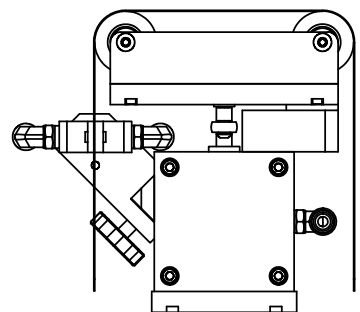
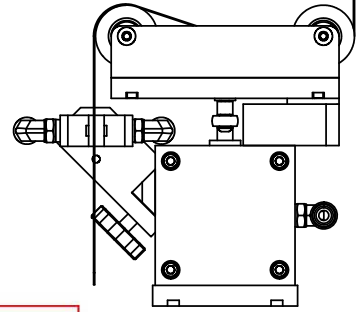
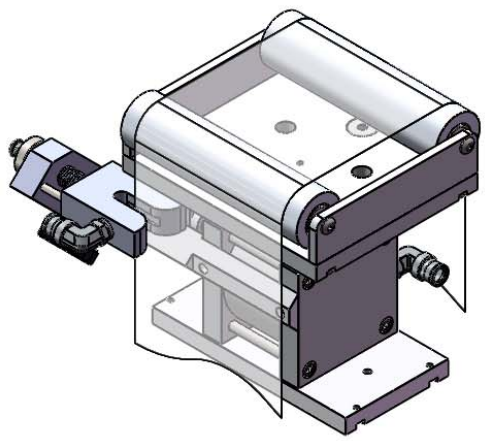
8 7 6 5 4 3 2 1

D
C
B
A

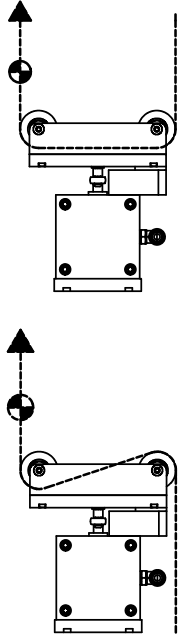
D
C
B
A



POSSIBLE WEB PATHS
FOR CURRENT SENSOR
LOCATION



OTHER POSSIBLE
SENSOR
CONFIGURATIONS



⊕ = SENOR



DRAWINGS FOR APPROVAL NEED TO BE SIGNED, DATED AND RETURNED TO
COAST CONTROLS, INC. BEFORE ANY MANUFACTURING CAN BEGIN.

APPROVED SIGNATURE X _____ DATE _____

PROPRIETARY AND CONFIDENTIAL
THE INFORMATION CONTAINED IN THIS
DRAWING IS THE SOLE PROPERTY OF
COAST CONTROLS, INC. ANY
REPRODUCTION IN PART OR AS A WHOLE
WITHOUT THE WRITTEN PERMISSION OF
COAST CONTROLS, INC. IS
PROHIBITED.

PROJECTION
IS THIRD ANGLE

UNSPECIFIED TOLERANCES			
FRACTIONS	± 1/32	ANGLES	± 1 DEG
INCH	.X ±.030	.XX ±.015	.XXX ±.005 .XXXX ±.0005
MM	.X ±1.0	.XX ±.50	.XXX ±.25

DO NOT SCALE DRAWING

	NAME	DATE
DRAWN	twh	10/14/2014
CHECKED		
ENG APPR.		
MFG APPR.		
Q.A.		

PAGE: .
3-2098
QUOTE: .
QXXXX-XX

COAST CONTROLS, INC.
7500 COMMERCE CT.
SARASOTA, FL34243
www.CoastControls.com
941.355.7555 - 941.359.2321

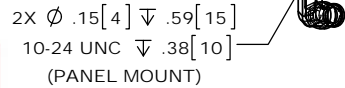
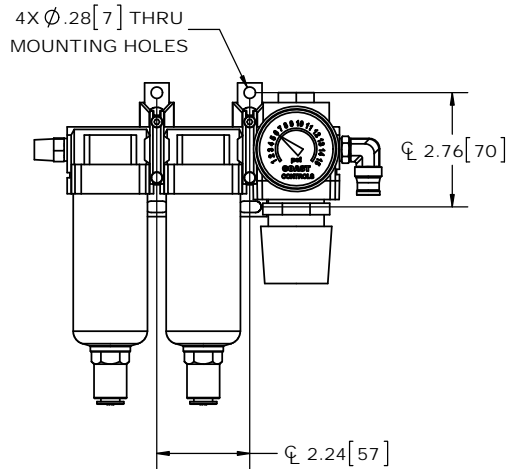
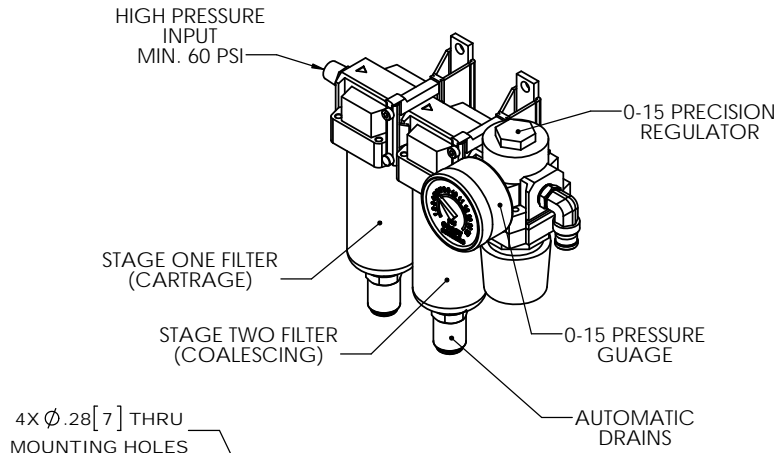
TITLE:
**DISPLACEMENT
GUIDE
DIMENSIONS**

SIZE	DWG. NO.	REV
B	MDG3-0606-RH STANDARD	

SCALE: 1:3 WEIGHT: SHEET 2 OF 2

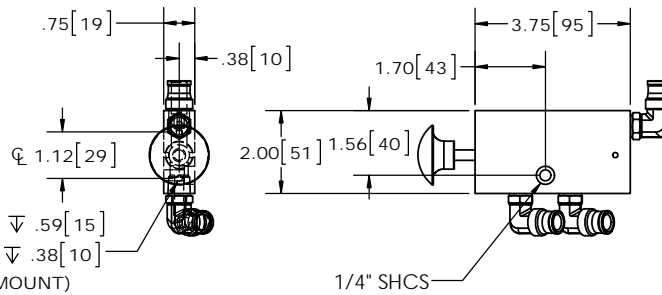
8 7 6 5 4 3 2 1

TWO-STAGE CARTRIDGE/COALESCING AIR FILTER AND PRECISION LOW-PRESSURE REGULATOR/GUAGE.
P/N: FRGAC

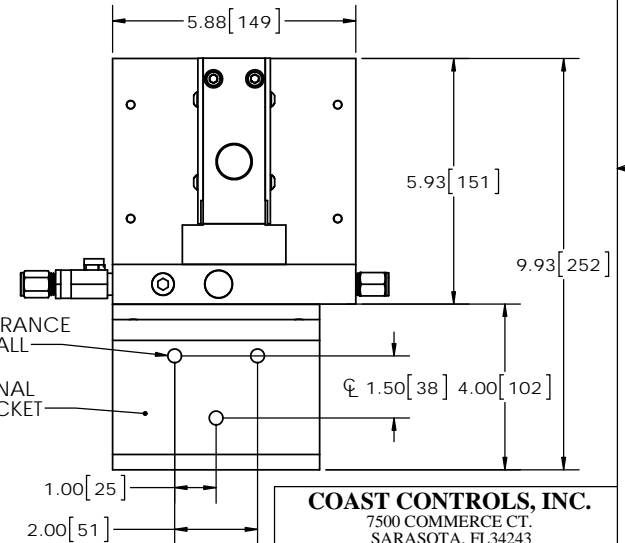
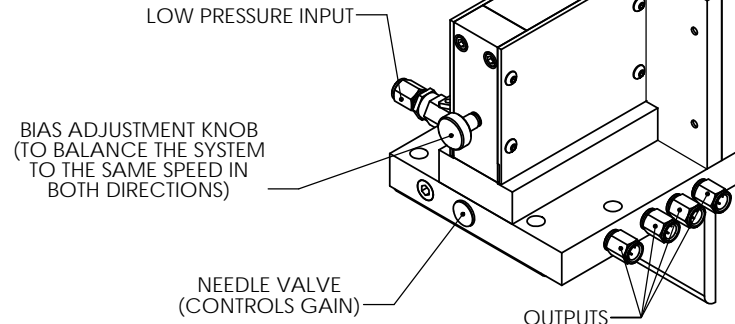


3-WAY AUTO CENTER VALVE (OPTIONAL)
P/N: ACA3W

PUSH/PULL 3-WAY VALVE
PUSH TO GUIDE
PULL TO SERVO CENTER



SERVO CONTROLLER
P/N: SC10A



COAST CONTROLS, INC.
7500 COMMERCE CT.
SARASOTA, FL 34243
www.CoastControls.com

941.355.7555 - 941.359.2321

TITLE:
**GUIDE SUPPORT EQUIPMENT
SERVO CONTROLLER
TWO-STAGE FILTER
3-WAY VALVE**

DRAWN	NAME	DATE
CHECKED	TWH	2/28/2012
ENG APPR.		
MFG APPR.		
Q.A.		

PAGE: 3-1606
QUOTE: QXXXX-XX

SIZE DWG. NO. REV
B GUIDE SUPPORT EQUIP. WITH 3-WAY

SCALE: 1:3 WEIGHT: SHEET 1 OF 1



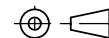
DRAWINGS FOR APPROVAL NEED TO BE SIGNED, DATED AND RETURNED TO COAST CONTROLS, INC. BEFORE ANY MANUFACTURING CAN BEGIN.

APPROVED SIGNATURE X _____

DATE _____

PROPRIETARY AND CONFIDENTIAL
THE INFORMATION CONTAINED IN THIS DRAWING IS THE SOLE PROPERTY OF COAST CONTROLS, INC. ANY REPRODUCTION IN PART OR AS A WHOLE WITHOUT THE WRITTEN PERMISSION OF COAST CONTROLS, INC. IS PROHIBITED.

PROJECTION IS THIRD ANGLE



UNSPECIFIED TOLERANCES			
FRACTIONS ± 1/32	ANGLES ± 1 DEG		
INCH .X .XX .XXX .XXXX	±.030	±.015	±.005 ±.0005
MM .X .XX .XXX	±1.0	±.50	±.25
DO NOT SCALE DRAWING			